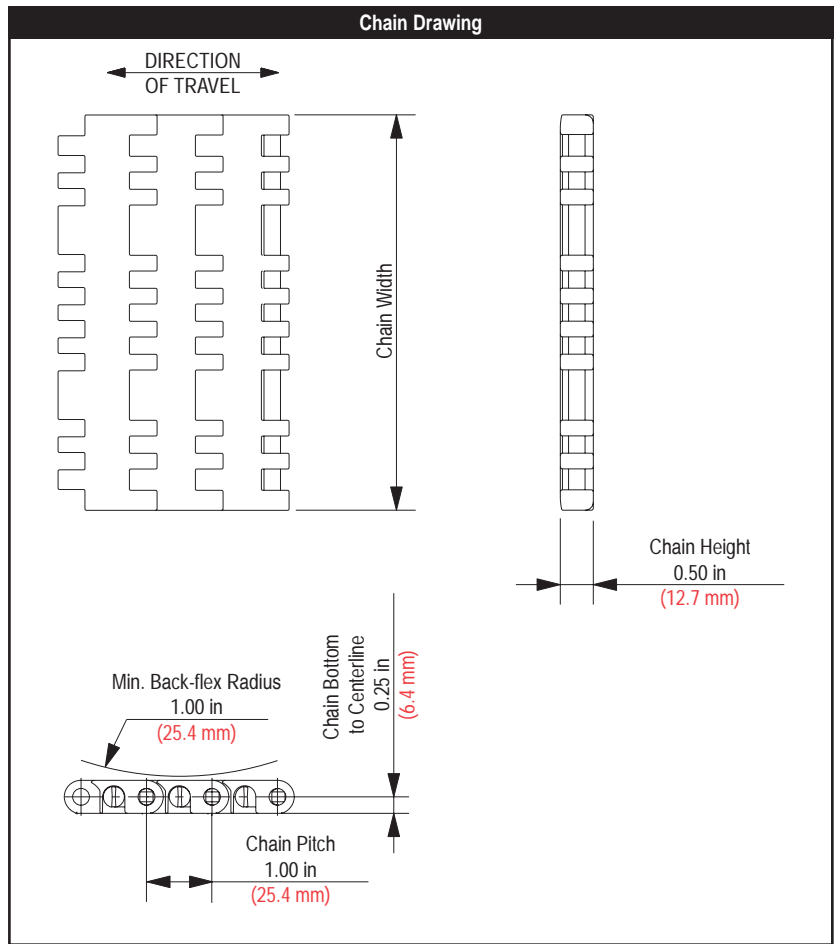




Chain is shown in High Performance (HP™) material.



Chain Information						
desc	Chain Width		Number of Sprockets	Chain Strength		
	in	mm		lbs	N	
3-1/4	3.25	82.6	1	685	3,047	
4-1/2	4.50	114.3	1	1,025	4,559	
6	6.00	152.4	2	1,475	6,561	
7-1/2	7.50	190.5	2	1,750	7,784	
⁴ 15	15.00	381.0	3	3,400	15,123	

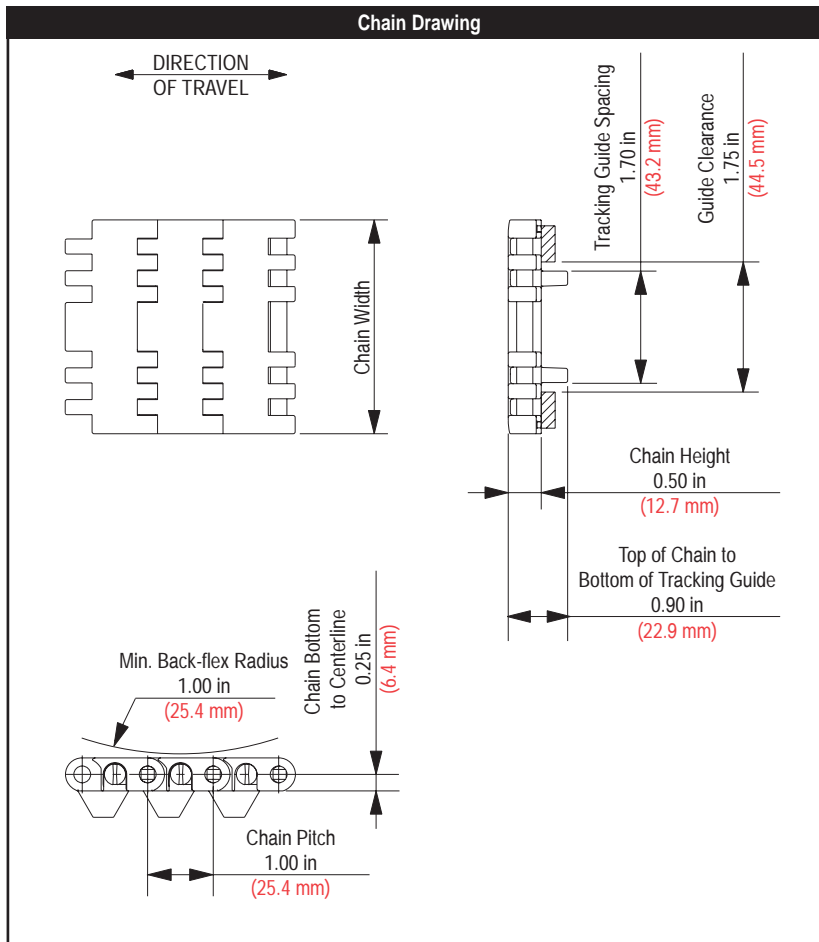
Available Materials											
Prefix	Chain Material	Standard Pin Material	Temperature						Approximate Weight		FDA Approval
			Fahrenheit			Celsius					
			min	max		min	max		lbs/ft ²	kg/m ²	
			dry	wet		dry	wet				
Standard Materials											
HP™	High Performance	Polyester	-40	+180	+150	-40	+82	+66	2.76	13.47	✓
PS®	Platinum Series®	Polyester	-40	+180	+150	-40	+82	+66	2.76	13.47	✓
WX	Green Abrasion Resistant Polyamide	Acetal	-40	+220	NR	-40	+104	NR	2.76	13.47	-
Made-to-Order Materials											
AS	Anti-Static	Polyester	0	+180	+150	-18	+82	+66	2.76	13.47	-
WHP	White High Performance	Polyester	-40	+180	+150	-40	+82	+66	2.76	13.47	✓
HT	High Temperature	Polypropylene	+40	+220	+212	+4	+104	+100	1.85	9.03	✓
WHT	White High Temperature	Polypropylene	+40	+220	+212	+4	+104	+100	1.85	9.03	✓
P	Chemical Resistant	Polyester	0	+180	+140	-18	+82	+60	2.76	13.47	✓
BSM	Black Cut Resistant	Polyester	-40	+180	+150	-40	+82	+66	2.76	13.47	✓

Chain strength is based on acetal-based materials and listed at room temperature. NR = Not Recommended.

Regulatory Information	Additional Notes
<p>The Food and Drug Administration (FDA) accepts certain materials for direct food contact. FDA approved material is compliant to FDA 21 CFR § 177.</p> <p>Rexnord, MatTop, TwistLock, Platinum Series, HP and PS are trademarks of Rexnord Industries, LLC.</p> <p>All rights reserved.</p> <p>U.S. Patent: 5335768</p>	<ol style="list-style-type: none"> 1. Stocked in 120 pitch, 10 ft (3.048 m) length strands. 2. Open area = 3.0%. 3. Stainless steel pins are available on a made-to-order basis. 4. WX7705-15 is supplied as a bricked assembly.



Chain Information					
Chain Width			Number of Sprockets	Chain Strength	
desc	in	mm		lbs	N
3-1/4	3.25	82.6	1	685	3,047
4-1/2	4.50	114.3	1	1,025	4,559
7-1/2	7.50	190.5	2	1,750	7,784



Available Materials											
Prefix	Chain Material	Standard Pin Material	Temperature						Approximate Weight		FDA Approval
			Fahrenheit			Celsius			lbs/ft ²	kg/m ²	
			min	max		min	max				
				dry	wet		dry	wet			
Standard Materials											
HP™	High Performance	Polyester	-40	+180	+150	-40	+82	+66	2.76	13.47	✓
PS®	Platinum Series®	Polyester	-40	+180	+150	-40	+82	+66	2.76	13.47	✓
WX	Green Abrasion Resistant Polyamide	Acetal	-40	+220	NR	-40	+104	NR	2.76	13.47	-
Made-to-Order Materials											
AS	Anti-Static	Polyester	0	+180	+150	-18	+82	+66	2.76	13.47	-
WHP	White High Performance	Polyester	-40	+180	+150	-40	+82	+66	2.76	13.47	✓
HT	High Temperature	Polypropylene	+40	+220	+212	+4	+104	+100	1.85	9.03	✓
WHT	White High Temperature	Polypropylene	+40	+220	+212	+4	+104	+100	1.85	9.03	✓
P	Chemical Resistant	Polyester	0	+180	+140	-18	+82	+60	2.76	13.47	✓
BSM	Black Cut Resistant	Polyester	-40	+180	+150	-40	+82	+66	2.76	13.47	✓

Chain strength is based on acetal-based materials and listed at room temperature. NR = Not Recommended.

Regulatory Information

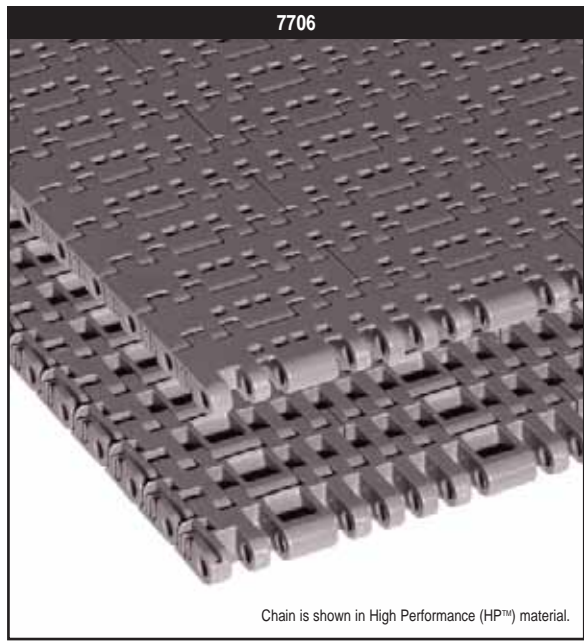
The Food and Drug Administration (FDA) accepts certain materials for direct food contact. FDA approved material is compliant to FDA 21 CFR § 177.

Rexnord, MatTop, Positrack, TwistLock, Platinum Series, HP and PS are trademarks of Rexnord Industries, LLC.

All rights reserved.

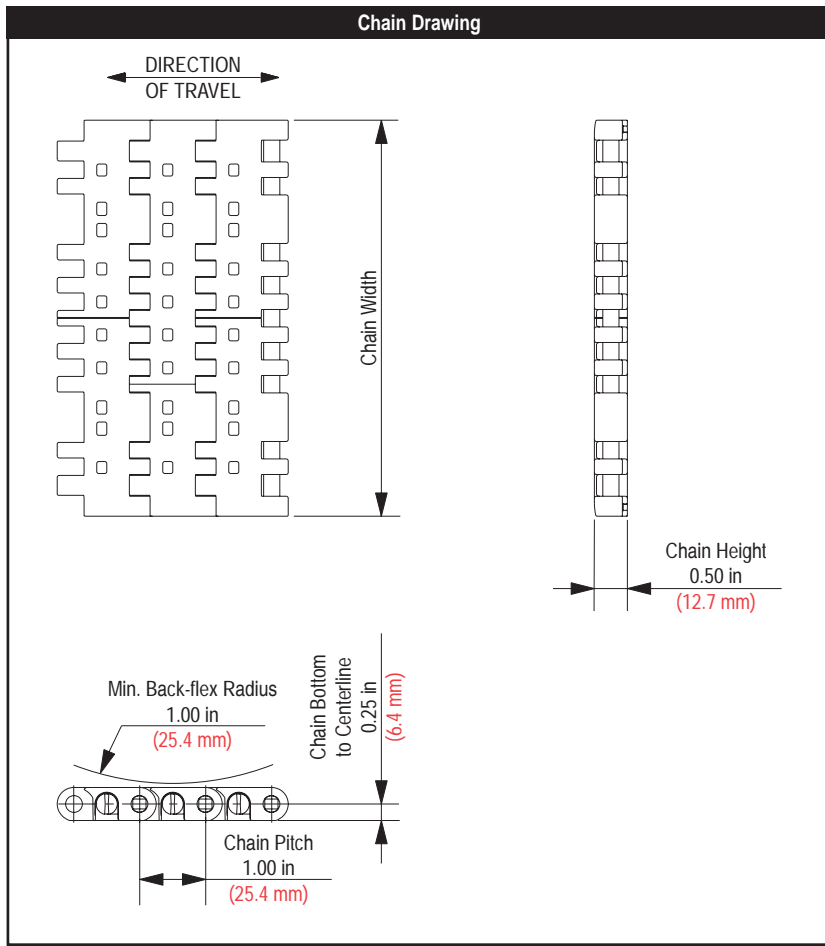
U.S. Patent: 5335768

- Additional Notes**
1. Stocked in 120 pitch, 10 ft (3.048 m) length strands.
 2. Open area = 3.0%.
 3. Stainless steel pins are available on a made-to-order basis.
 4. NS7700-21T and NS7700-31T sprockets may not be compatible with 7705 MTW PT due to bore adapters that can interfere with the chains' positrack.



7706

Chain is shown in High Performance (HP™) material.

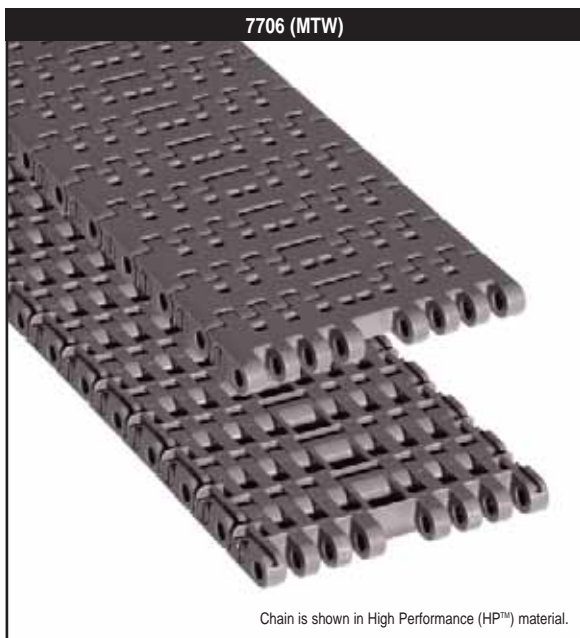


Chain Information		
Chain Capacity	Number of Sprockets	
	per ft of width	per m of width
0% - 50%	2	7
50% - 100%	4	13

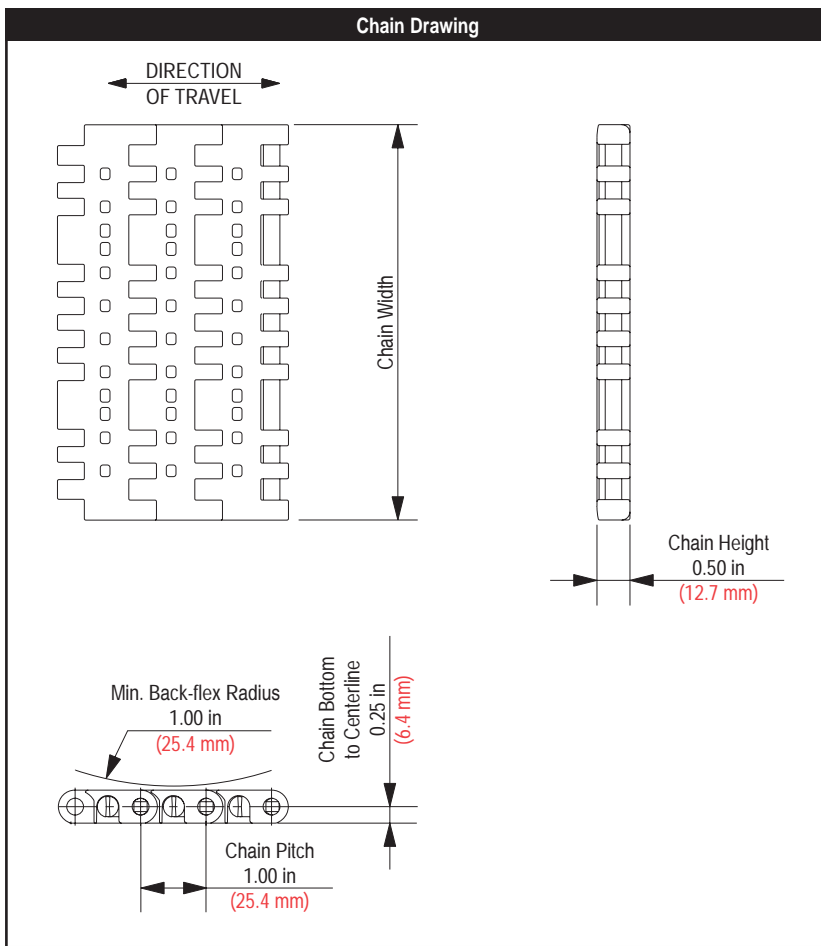
Available Materials													
Prefix	Chain Material	Standard Pin Material	Temperature						Chain Strength		Approximate Weight		FDA Approval
			Fahrenheit			Celsius							
			min	max		min	max		lbs/ft	N/m	lbs/ft²	kg/m²	
Standard Materials													
HP™	High Performance	Polyester	-40	+180	+150	-40	+82	+66	2,950	43,041	2.70	13.18	✓
Made-to-Order Materials													
AS	Anti-Static	Polyester	0	+180	+150	-18	+82	+66	1,770	25,824	2.70	13.18	-
FR	Flame Retardant	Polyester	0	+180	+140	-18	+82	+60	2,508	36,592	2.70	13.18	-
WHP	White High Performance	Polyester	-40	+180	+150	-40	+82	+66	2,950	43,041	2.70	13.18	✓
HT	High Temperature	Polypropylene	+40	+220	+212	+4	+104	+100	1,800	26,262	1.85	9.03	✓
WHT	White High Temperature	Polypropylene	+40	+220	+212	+4	+104	+100	1,800	26,262	1.85	9.03	✓
P	Chemical Resistant	Polyester	0	+180	+140	-18	+82	+60	2,360	34,432	2.70	13.18	✓
WX	Green Abrasion Resistant Polyamide	Acetal	-40	+220	NR	-40	+104	NR	2,950	43,041	2.70	13.18	-
PS®	Platinum Series®	Polyester	-40	+180	+150	-40	+82	+66	2,950	43,041	2.70	13.18	✓

Chain strength is listed at room temperature. NR = Not Recommended.

Regulatory Information	Additional Notes
<p>The Food and Drug Administration (FDA) accepts certain materials for direct food contact. FDA approved material is compliant to FDA 21 CFR § 177.</p> <p>Rexnord, MatTop, TwistLock, Platinum Series, HP and PS are trademarks of Rexnord Industries, LLC. All rights reserved. U.S. Patent: 5335768</p>	<ol style="list-style-type: none"> For chain width information see page MT - WIDTH - 1 at end of MatTop® section. Open area = 8.0%. Stainless steel pins are available on a made-to-order basis.



Chain is shown in High Performance (HP™) material.



Chain Information					
Chain Width			Number of Sprockets	Chain Strength	
desc	in	mm		lbs	N
3-1/4	3.25	82.6	1	685	3,047
4-1/2	4.50	114.3	1	1,025	4,559
6	6.00	152.4	2	1,475	6,561
7-1/2	7.50	190.5	2	1,750	7,784
15 [†]	15.00	381.0	3	3,400	15,123

Available Materials											
Prefix	Chain Material	Standard Pin Material	Temperature						Approximate Weight		FDA Approval
			Fahrenheit			Celsius			lbs/ft ²	kg/m ²	
			min	max		min	max				
				dry	wet		dry	wet			
Standard Materials											
HP™	High Performance	Polyester	-40	+180	+150	-40	+82	+66	2.70	13.18	✓
Made-to-Order Materials											
AS	Anti-Static	Polyester	0	+180	+150	-18	+82	+66	2.70	13.18	-
WHP	White High Performance	Polyester	-40	+180	+150	-40	+82	+66	2.70	13.18	✓
HT	High Temperature	Polypropylene	+40	+220	+212	+4	+104	+100	1.85	9.03	✓
WHT	White High Temperature	Polypropylene	+40	+220	+212	+4	+104	+100	1.85	9.03	✓
P	Chemical Resistant	Polyester	0	+180	+140	-18	+82	+60	2.70	13.18	✓
PS®	Platinum Series®	Polyester	-40	+180	+150	-40	+82	+66	2.70	13.18	✓
WX	Green Abrasion Resistant Polyamide	Acetal	-40	+220	NR	-40	+104	NR	2.70	13.18	-

Chain strength is based on acetal-based materials and listed at room temperature. NR = Not Recommended.

Regulatory Information

The Food and Drug Administration (FDA) accepts certain materials for direct food contact. FDA approved material is compliant to FDA 21 CFR § 177.

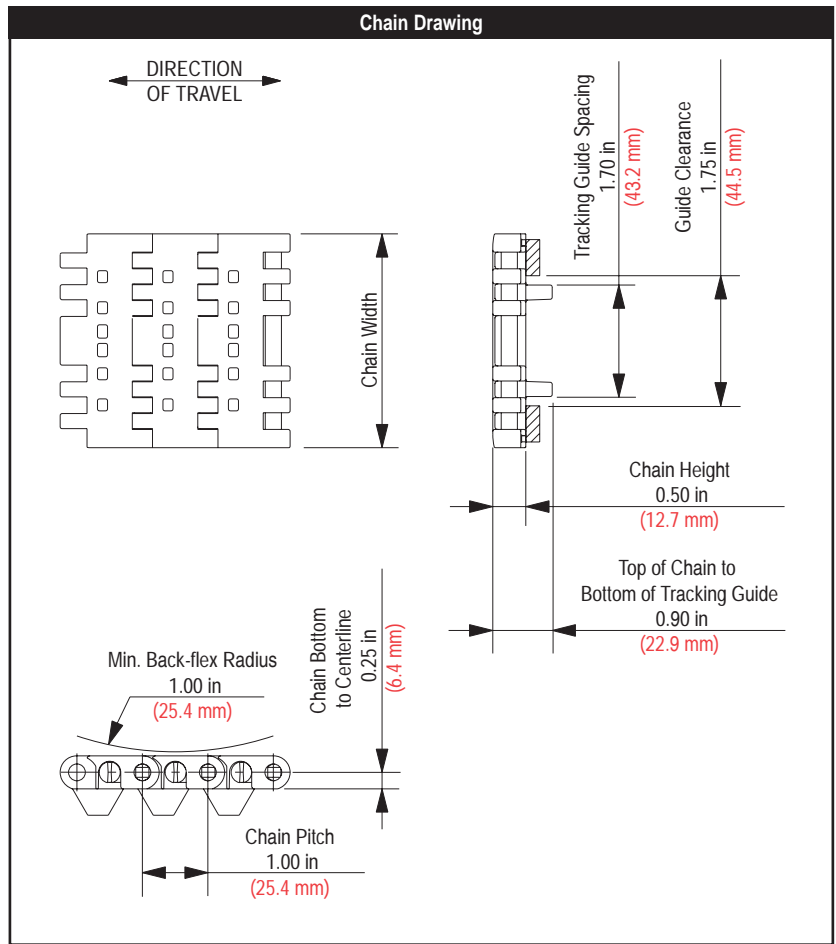
Rexnord, MatTop, TwistLock, Platinum Series, HP and PS are trademarks of Rexnord Industries, LLC.
All rights reserved.

U.S. Patent: 5335768

- #### Additional Notes
1. Stocked in 120 pitch, 10 ft (3.048 m) length strands.
 2. Open area = 8.0%.
 3. Stainless steel pins are available on a made-to-order basis.
 4. WX7706-15 is supplied as a bricked assembly.



Chain is shown in High Performance (HP™) material.



Chain Information					
Chain Width			Number of Sprockets	Chain Strength	
desc	in	mm		lbs	N
3-1/4	3.25	82.6	1	685	3,047
4-1/2	4.50	114.3	1	1,025	4,559
7-1/2	7.50	190.5	2	1,750	7,784

Available Materials											
Prefix	Chain Material	Standard Pin Material	Temperature						Approximate Weight		FDA Approval
			Fahrenheit			Celsius					
			min	max		min	max		lbs/ft ²	kg/m ²	
			dry	wet		dry	wet				
Standard Materials											
HP™	High Performance	Polyester	-40	+180	+150	-40	+82	+66	2.70	13.18	✓
Made-to-Order Materials											
AS	Anti-Static	Polyester	0	+180	+150	-18	+82	+66	2.70	13.18	-
WHP	White High Performance	Polyester	-40	+180	+150	-40	+82	+66	2.70	13.18	✓
HT	High Temperature	Polypropylene	+40	+220	+212	+4	+104	+100	1.85	9.03	✓
WHT	White High Temperature	Polypropylene	+40	+220	+212	+4	+104	+100	1.85	9.03	✓
P	Chemical Resistant	Polyester	0	+180	+140	-18	+82	+60	2.70	13.18	✓
PS®	Platinum Series®	Polyester	-40	+180	+150	-40	+82	+66	2.70	13.18	✓
WX	Green Abrasion Resistant Polyamide	Acetal	-40	+220	NR	-40	+104	NR	2.70	13.18	-

Chain strength is based on acetal-based materials and listed at room temperature. NR = Not Recommended.

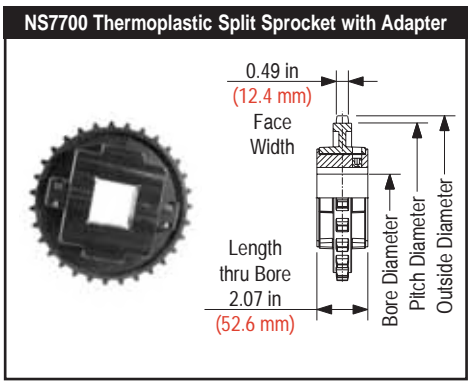
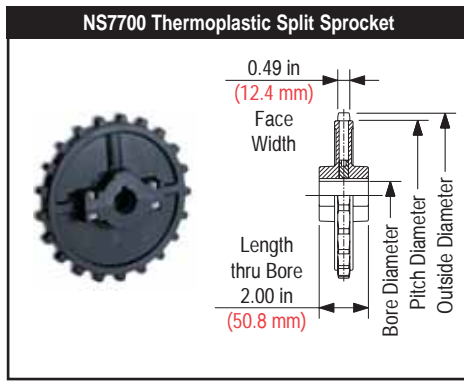
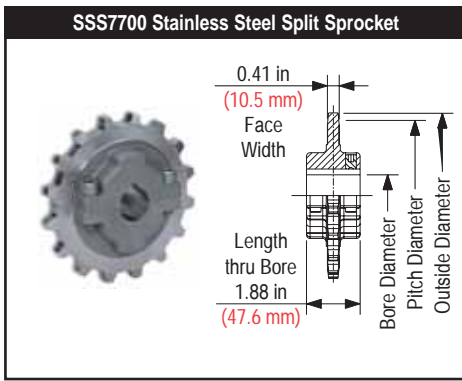
Regulatory Information

The Food and Drug Administration (FDA) accepts certain materials for direct food contact. FDA approved material is compliant to FDA 21 CFR § 177.

Rexnord, MatTop, Positrack, TwistLock, Platinum Series, HP and PS are trademarks of Rexnord Industries, LLC.

All rights reserved.
U.S. Patent: 5335768

- ### Additional Notes
1. Stocked in 120 pitch, 10 ft (3.048 m) length strands.
 2. Open area = 8.0%.
 3. Stainless steel pins are available on a made-to-order basis.
 4. NS7700-21T and NS7700-31T sprockets may not be compatible with 7706 MTW PT due to bore adapters that can interfere with the chains' positrack.



SSS7700 Stainless Steel Split Sprocket Information																							
Number of Teeth		Pitch Diameter		Outside Diameter		Bore Diameter (Shaft-Ready)								Bore Diameter (Round)				Approximate Weight					
						Round *				Square				in		mm							
						in	mm	min	max	min	max	min	max	min	max	min	max			min	max		
actual	effect	in	mm	in	mm	min	max	min	max	min	max	min	max	min	max	min	max	min	max	lbs	kg		
16	16	5.126	130.20	5.14	130.6	1	2	25	50	1	1	25	25	1	2	25	50	1	2	25	50	3.50	1.59
18	18	5.759	146.28	5.78	146.8	1	2	25	50	1	1	25	25	1	2	25	50	1	2	25	50	5.00	2.27
21*	21	6.710	170.43	6.72	170.7	1	2-1/2	25	60	1	3-1/2 *	25	90 *	1	3-1/2	25	60	1	3-1/2	25	60	6.00	2.72

Shaft-ready round bore sprockets are shipped with keyway and setscrew.
 * The 3-1/2 in and 90 mm bores for the 21 tooth square bore sprocket and all round bore sprockets below 1-1/2 in. (40 mm) are supplied as machined bores. All other bores are supplied with split bore adapters.

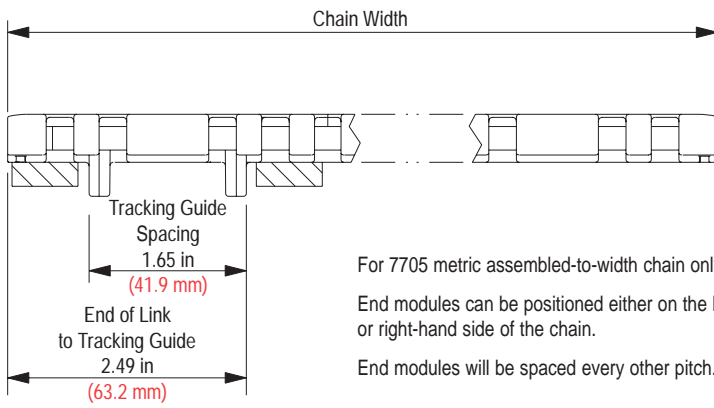
NS7700 Thermoplastic Split Sprocket Information																							
Number of Teeth		Pitch Diameter		Outside Diameter		Bore Diameter (Shaft-Ready)								Bore Diameter (Idler)				Approximate Weight					
						Round				Square				in		mm							
						in	mm	min	max	min	max	min	max	min	max	min	max			min	max		
actual	effect	in	mm	in	mm	min	max	min	max	min	max	min	max	min	max	min	max	min	max	lbs	kg		
16	16	5.126	130.20	5.14	130.6	1	1-5/8	25	40	-	-	-	-	1	1-5/8	25	40	1	1-5/8	25	40	0.73	0.33
18	18	5.759	146.28	5.78	146.8	1	1-5/8	25	40	-	-	-	-	1	1-5/8	25	40	1	1-5/8	25	40	0.84	0.38
21	21	6.710	170.43	6.72	170.7	1	1-5/8	25	40	3-1/2	3-1/2	90	90	1	1-5/8	25	40	1	1-5/8	25	40	0.97	0.44
31	31	9.885	251.08	9.93	252.2	2	4-1/2	50	120	2	4-1/2	50	120	2	4-1/2	50	120	2	4-1/2	50	120	3.72	1.69

Imperial shaft-ready round bore sprockets are shipped with keyway and setscrew. Metric shaft-ready round bore sprockets are shipped with keyway, but without setscrew. Idler bores are designed to spin freely on the shaft. Standard adapter is UHMWPE.

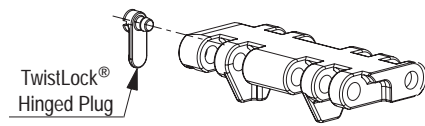
NS7700 Thermoplastic Split Sprocket with Adapter Information																							
Number of Teeth		Pitch Diameter		Outside Diameter		Bore Diameter (Shaft-Ready)								Bore Diameter (Idler)				Approximate Weight					
						Round				Square				in		mm							
						in	mm	min	max	min	max	min	max	min	max	min	max			min	max		
actual	effect	in	mm	in	mm	min	max	min	max	min	max	min	max	min	max	min	max	min	max	lbs	kg		
16	16	5.126	130.20	5.14	130.6	1	1-5/8	25	40	-	-	-	-	1	1-5/8	25	40	1	1-5/8	25	40	0.73	0.33
18	18	5.759	146.28	5.78	146.8	1	1-5/8	25	40	-	-	-	-	1	1-5/8	25	40	1	1-5/8	25	40	0.84	0.38
21	21	6.710	170.43	6.72	170.7	1	2-1/2	25	65	1	3	25	75	1	3	25	75	1	3	25	75	0.97	0.44
31	31	9.885	251.08	9.93	252.2	1	1-15/16	25	45	1	1-3/4	25	45	1	1-15/16	25	45	1	1-15/16	25	45	3.72	1.69

Imperial shaft-ready round bore sprockets are shipped with keyway and setscrew. Metric shaft-ready round bore sprockets are shipped with keyway, but without setscrew. Idler bores are designed to spin freely on the shaft. Standard adapter is UHMWPE.

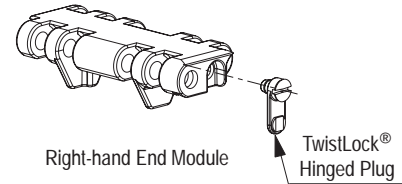
End Module with Positrack™ Tracking Guides



For 7705 metric assembled-to-width chain only.
 End modules can be positioned either on the left-hand or right-hand side of the chain.
 End modules will be spaced every other pitch.

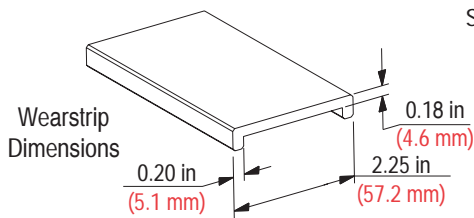
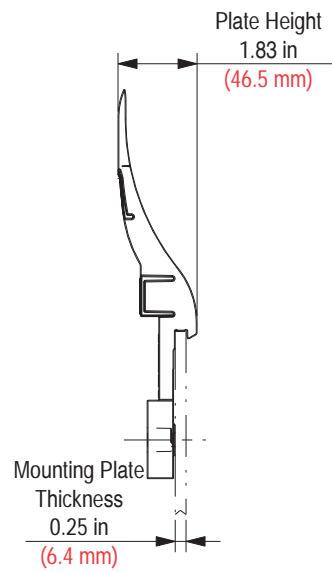
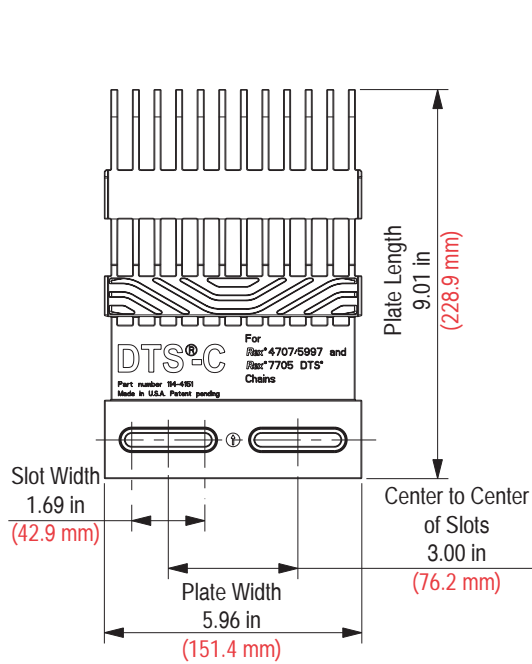


Left-hand End Module

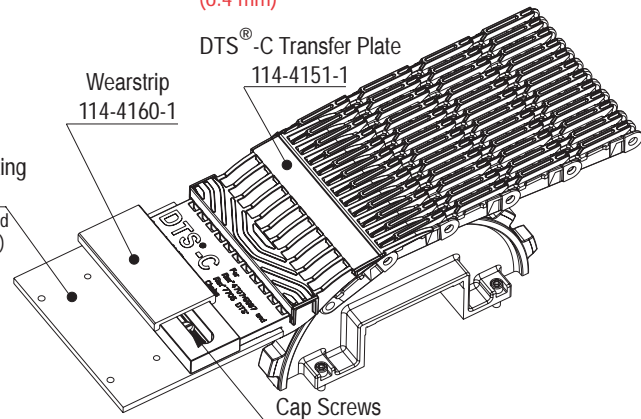


Right-hand End Module

7705 DTS®-C Accessory



Steel Mounting Plate
 (Not Supplied By Rexnord)



114-870-1 (1/4-20 Thread)

DTS®-C Component Part Numbers

Component Description	Kit Part Number	Comb Part Number	Screw Part Number	Wearstrip Part Number (10ft length)	For Use With:		
					Raised Rib Chain	DTS® Chain	Takeaway Chain
DTS® Comb Kit	614-448-1	114-4151-1	114-870-1	NA	5997 or 4707	7705DTS-450	7705, 7706, or 1055
Wearstrip		NA		114-4160-1			

Each kit includes one comb and two mounting screws.
 Wearstrip is sold in 10 foot (3.048 m) lengths and is sold separately.