

FLEXTECH™

- ✓ Quality Finished Appearance
- ✓ Heavy Gauge Square Aluminum Tubing
- ✓ Safety Enclosure Applications
- ✓ Reinforced Plastic Corner Joints

Tube Shape: square

Tube Material: anodized aluminum

Tube Size: 1" x 1" and 1.19" x 1.19"

Applications: Safety enclosures for machinery and other types of equipment. Also used as a framing system for environmental enclosures, clean rooms, instrument enclosures, and trade show or retail displays. The combination of versatility, ease of construction and a clean, professional appearance makes FlexTech the best choice for original equipment manufacturers and end users alike.

Table of Contents

	Page
Introduction	2
Typical Applications	4
Fixed Panels	5
Access Doors	6
Tubing	8
Corner Joints	11
Seals	15
Panel Mounting	16
Handles	17
Door Closures	18
Hinges	20
Gas Springs	22
Braces, Brackets	23
Accessories	24
Quick Pick Selector	25
Assembly and Fabrication Tips	26
T-Slot profiles and Anchoring	27
Hardware Table	29

FlexTech

SpeedFrame™

- ✓ Industrial and Washdown Applications
- ✓ Square Stainless or Aluminum Tubing
- ✓ Metal or Reinforced Plastic Corner Joints

Tube Shape: square

Tube Material: brushed stainless steel
or anodized aluminum

Tube Size: 1" x 1"

Applications: Safety enclosures, industrial framing and sanitary enclosures. Excellent for corrosive wash down environments that require a stainless steel structure.

	Page
Introduction	30
Typical Applications	32
Fixed Panels	33
Access Doors	34
Tubing	36
Corner Joints	38
Cladding and Glazing	40
Panel Clamps	42
Handles, Doorstop, Bifold Slider	43
Latches	44
Hinges	46
Tube Ends	47

SpeedFrame

VALU GUARD™

Products from Solus Industrial Innovations improve the Safety and Appearance of Your Machinery!

The Valu Guard family of products is designed to meet a wide variety of enclosure and guarding requirements. Protective guarding keeps material contained within the machine area, and keeps people or items away from the operating machinery. When properly constructed, the guards meet OSHA guidelines for machine guarding, yet also enhance the appearance of OEM equipment.

Valu Guard's versatility extends to almost any industry. Build shelves, counters, displays, cubicles, or even entire freestanding rooms. With a full line of accessories for each product, the possibilities with Valu Guard are only limited by your imagination.

The two product lines, FlexTech and SpeedFrame, are based on the concept that with a pre-engineered system of components, custom structures can be made faster, more attractive and more economically than by welding or other traditional fabrication methods.

Solus provides high quality Valu Guard products and services for safety enclosures and guarding systems. If you have any questions, please contact your local District Manager or one of our helpful Customer Service Representatives at 866-765-8744.

Thank you for your business.

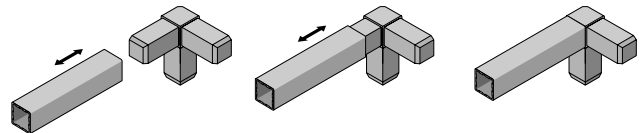
FLEXTECH™

Safety Enclosure System

The FlexTech Safety Enclosure System is used to fabricate OSHA-compliant safety enclosures for machinery and other types of equipment. It is also used as a framing system for environmental enclosures, cleanrooms, instrument enclosures, trade show and retail displays. The combination of versatility, ease of construction and a clean, professional appearance makes FlexTech the best choice for original equipment manufacturers and end users alike.

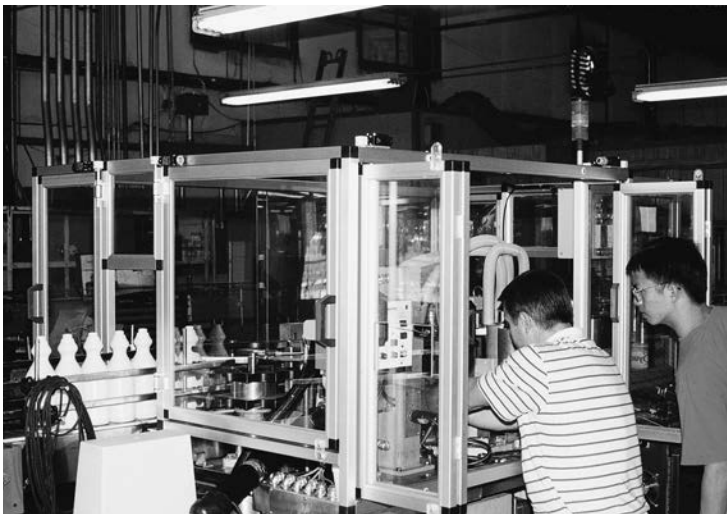
Features

- ◆ Heavy 14 gauge anodized aluminum extrusions - clear finish or Elox tint (matches stainless steel).
- ◆ Glass-reinforced nylon joints.
- ◆ All the hinges, handles, latches, hardware and other accessories you need.
- ◆ Create unlimited combinations of doors and panels with many different extrusion profiles.



Easy Assembly

Assemble frames using a soft-faced mallet to hammer in corner joints. Attach panels and hardware using just a drill and simple hand tools.



FlexTech's many extrusion profiles provide the flexibility to engineer several types of doors and panels on this labeling machine.



FlexTech's finished appearance compliments the quality construction of this cartoner.

Use FlexTech if you:

- ◆ Manufacture or use equipment required to meet OSHA safety standards.
- ◆ Have structural or complicated design requirements.
- ◆ Must have a finished appearance without T-slots or channels that catch dirt and debris.
- ◆ Require specialized doors - framed, sealed, bifold or gull wing.
- ◆ Want a stainless steel appearance but need the economy and light weight of extruded aluminum.

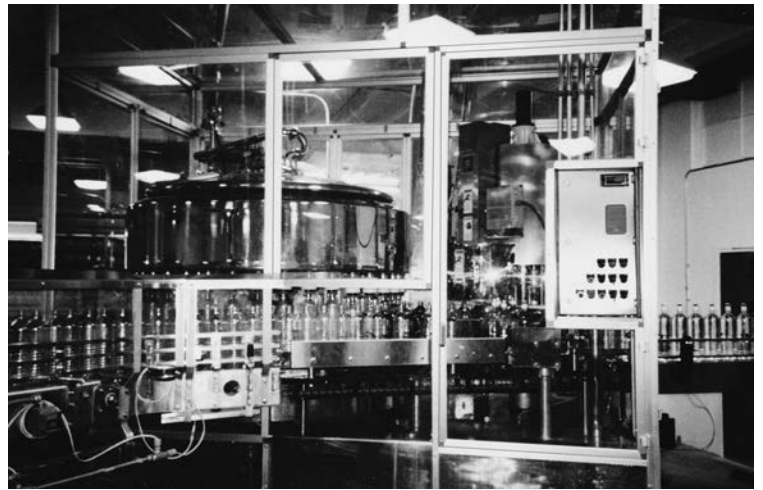


Engineering Services

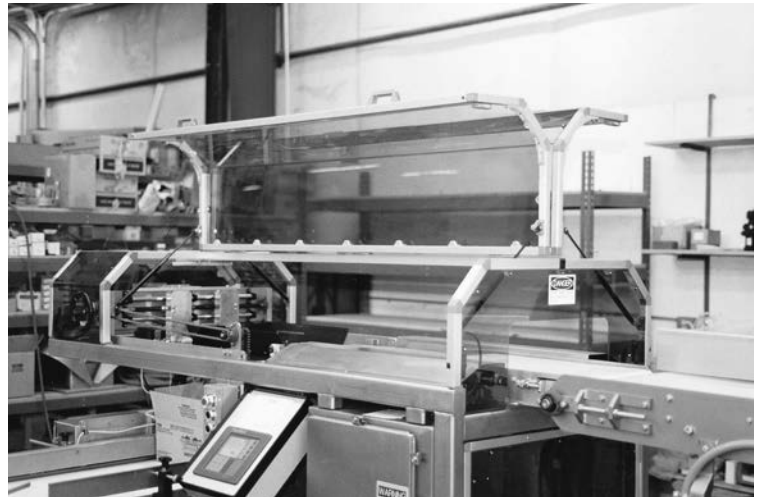
Send us your drawing or sketch and our Engineering Services Group will assist you in your design. We'll provide you with a bill of materials, a cut-to-length, ready to assemble kit, or a complete enclosure.

Satisfied customers include:

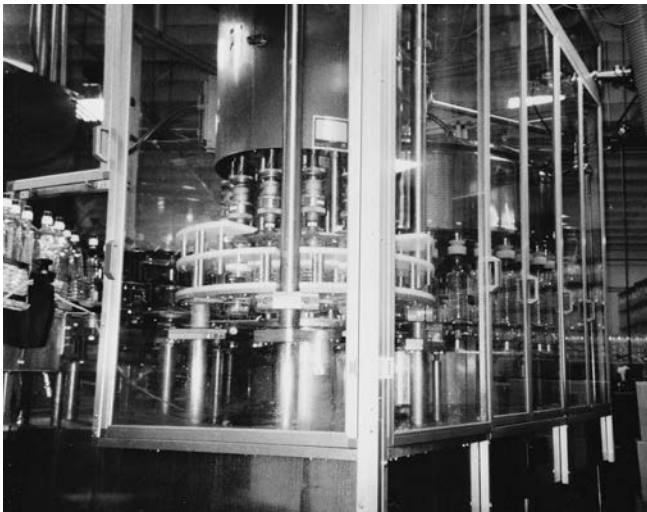
- ◆ Original equipment manufacturers required to have OSHA-mandated guarding on their machines.
- ◆ Process manufacturers retrofitting OSHA safety enclosures on plant equipment.
- ◆ Electronic enclosure manufacturers.
- ◆ Exhibit designers and fabricators.



The framed door on this bottling machine has a cutout for the control panel.



Gull wing doors with gas springs swing up and out of the way without obstructing aisle space.



This filler uses 6 ft. high bifold doors to fully enclose the star wheel while permitting unobstructed access.

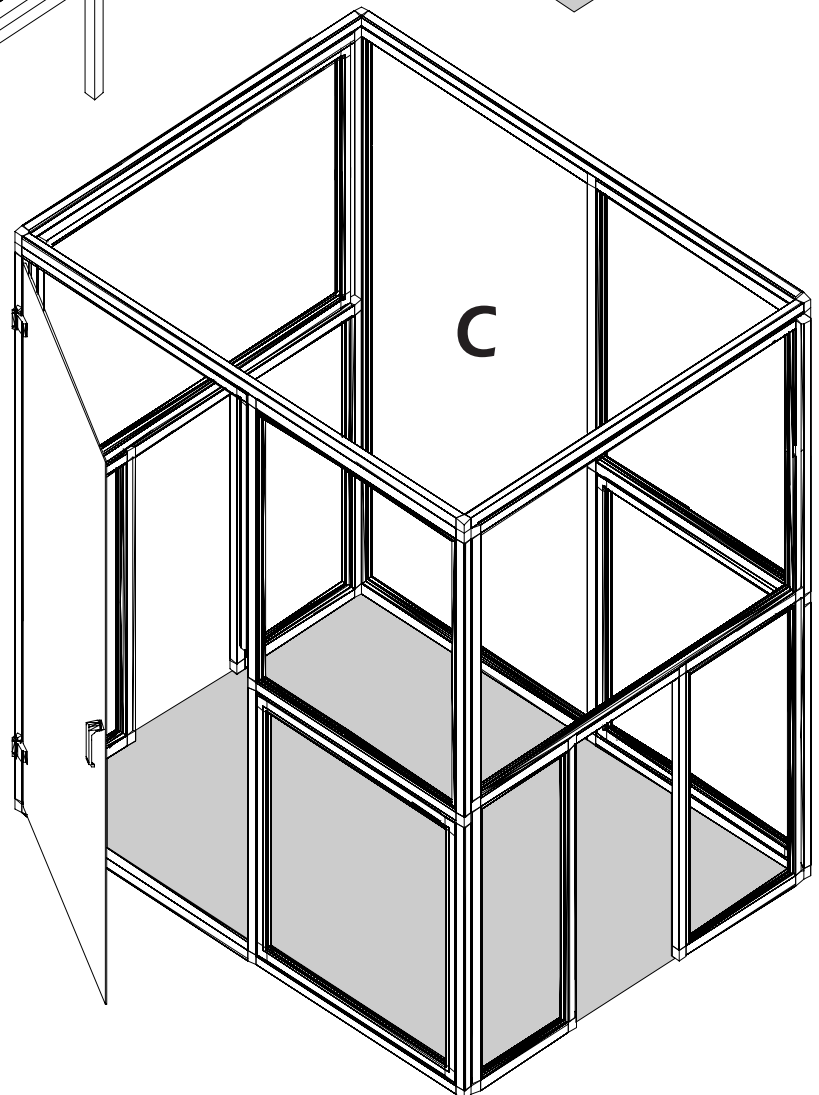
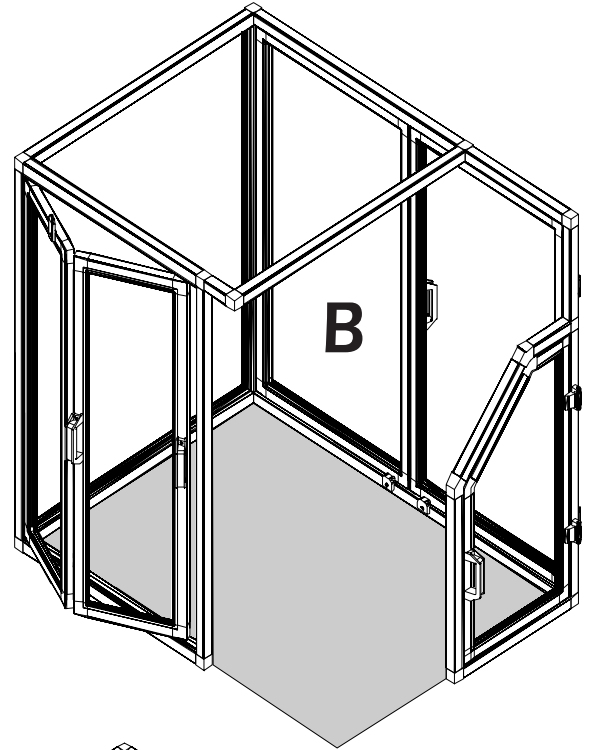
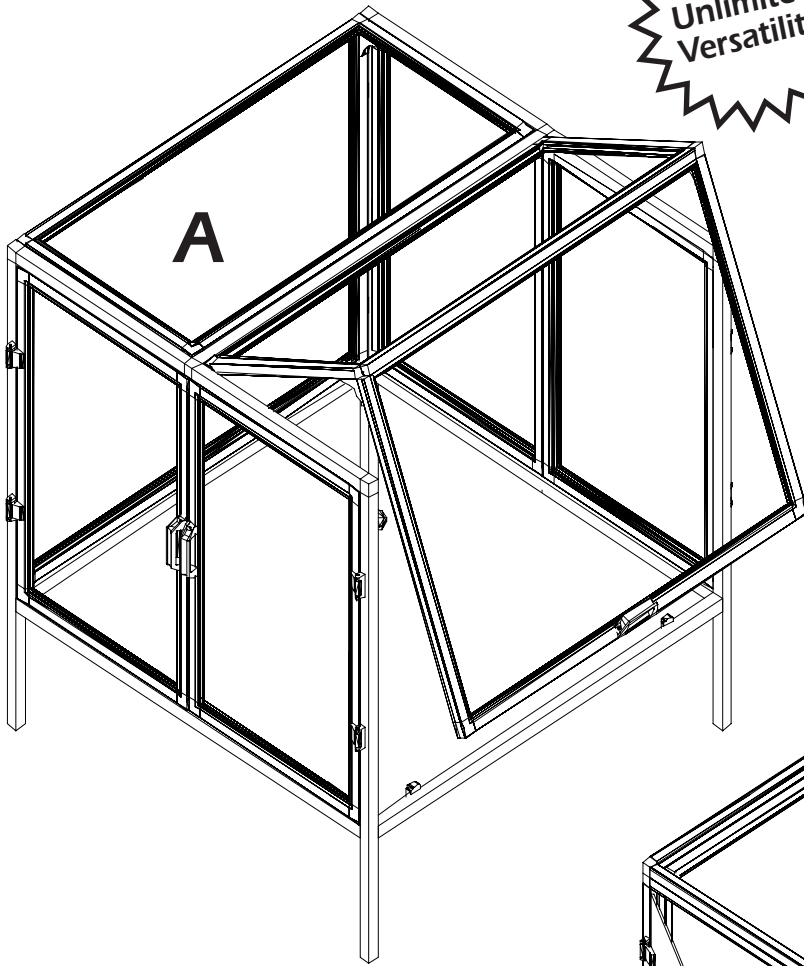


Bifold doors on this free standing enclosure provide easy and unobstructed access to this bottling line.

FLEXTECH™

Typical Applications

Unlimited
Versatility



These typical applications were built by us from customer specifications:

A This fruit packager needed an enclosure with a large hatch opening for packaging machinery.

B This pharmaceutical manufacturer's enclosure required bifold doors and odd access angles.

C The sealed panel on this enclosure allows access to the machine while creating a containment area for dust generated in the production process.

Fixed Panel Options

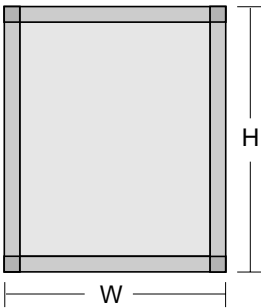
Tube sizes: Series **25** 1" square for doors and windows
 Series **30** 1-3/16" square for framing structures

Tube finishes: Clear anodized aluminum (-AN)
 Elox anodized (-LX) a unique tint to match stainless steel

Corner joint sizes: Series **25** for 1" tubes and series **30** for 1-3/16" tubes

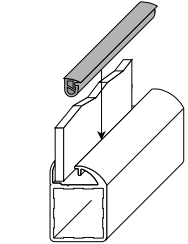
FlexTech Exclusive!

FlexTech

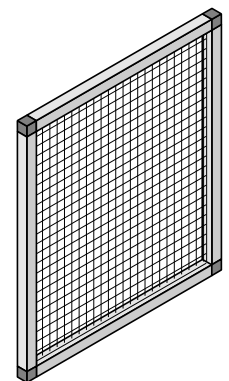


Framed Panel with Glazing Bead

The glaze bead seals the panel into place keeping out moisture and dust while stiffening and strengthening the frame.

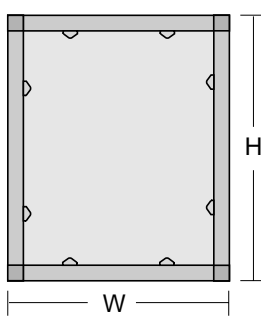


Series 25	Series 30	
Tube	FT-25T-PF-10-	FT-30T-PF-10-
Corner joint	FT-25-PA-J2M-GR	FT-30-PA-J2-GR
Tube length	H or W minus 3"	H or W minus 2-3/8"
Wire mesh or plastic panel dim...	H or W minus 2-3/16"	H or W minus 2-9/16"
Glaze bead	FT-PF-GZ1- (for 3/16"-1/4" thick panel)	
 FT-PF-GZ2- (for 1/16"-1/8" thick panel or wire mesh)	

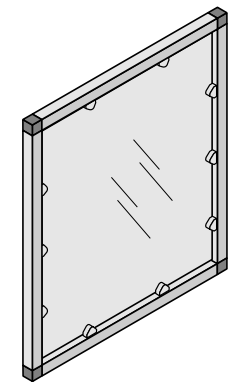


Framed Panel with Panel Mounting Blocks

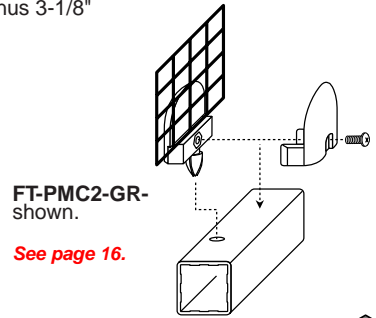
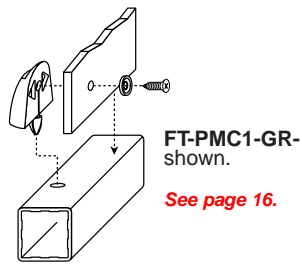
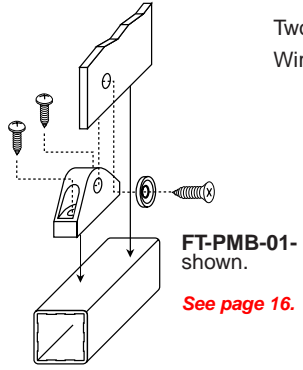
The panel mounting blocks and clamps allow the panel to be removed or replaced. Used where a sealed panel is not required.



Series 25	Series 30	
Tube	FT-25T-10-	FT-30T-10-
Corner joint	FT-25-PA-J2-GR	FT-30-PA-J2-GR
Tube length	H or W minus 2"	H or W minus 2-3/8"
Plastic panel dimensions	H or W minus 2-1/16"	H or W minus 2-7/16"
Panel mounting block	FT-PMB-01-CLR (approx 6" apart)	
One sided pop-in panel clamp	FT-PMC1-GR (approx 6" apart)	

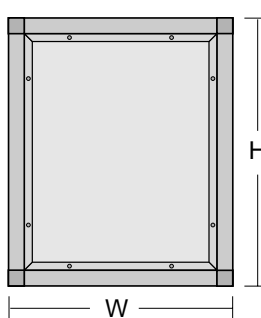


Two sided pop-in panel clamp FT-PMC2-GR
 Wire mesh or plastic panel dim .. H or W minus 2-3/4"

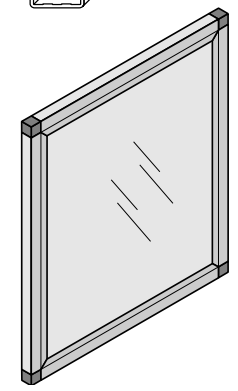
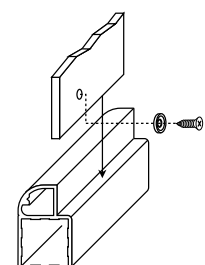


Framed Panel with Panel Mounting Tube

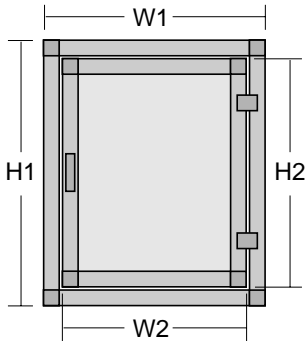
The profile allows the panel to be removed or replaced. Screws are not visible from the outside of the enclosure.



Series 30	
Tube	FT-30T-PM-10-
Corner joint	FT-30-PA-J2-GR
Tube length	H or W minus 2-3/8"
Plastic panel dimensions	H or W minus 2-7/16"
Panel mounting kit	FT-PMK



Access Door Options



Framed Door

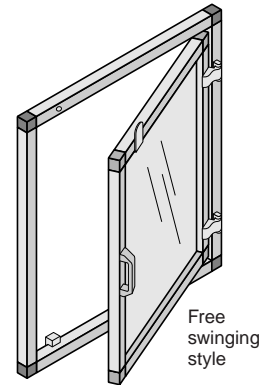
The free swinging style is the most common door, appropriate for most applications. The hatch style is most often used for wide doors or when full access to the door opening is needed.

If the FT-30T-FDS-10- extrusion is used, the door will seal against it.

Frame around door $H_1 \times W_1$

Series **30**

Tube FT-30T-10- or FT-30T-FDS-10-
 Corner joint FT-30-PA-J2-GR
 Tube length H_1 or W_1 minus 2-3/8"



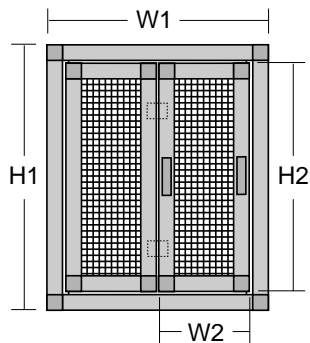
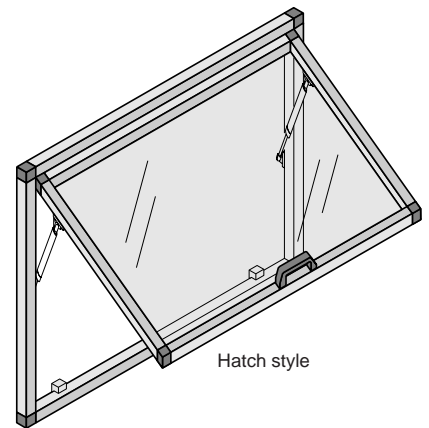
Door Panel $H_2 = H_1$ minus 2-5/8"

$W_2 = W_1$ minus 2-5/8"

(allows for 1/8" gap between frame and door)

Series **25**

Tube FT-25T-PF-10-
 Corner joint (miterless) FT-25-PA-J2M-GR
 Tube length H_2 or W_2 minus 3"
 Wire mesh or plastic panel dim. H_2 or W_2 minus 2-3/16"
 Glazing bead FT-PF-GZ1- (for 3/16"-1/4" thick panel)
 FT-PF-GZ2- (for 1/16"-1/8" thick panel
 or wire mesh)



Single Bifold Door

Most commonly used when limited door swing space is available and maximum access is needed.

Frame around door $H_1 \times W_1$

Series **30**

Vertical tube FT-30T-10-
 Horizontal tube FT-30T-PT-10-
 Corner joint FT-30-PA-J2-GR
 Tube length H_1 or W_1 minus 2-3/8"

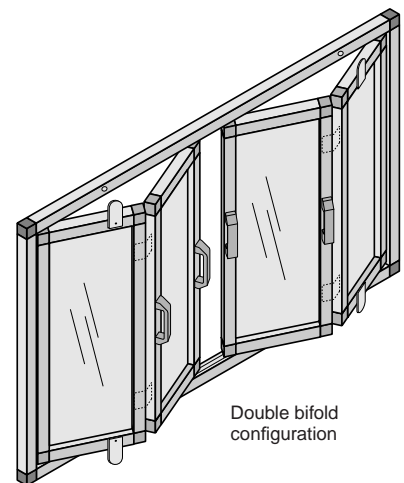
Bifold Door Panels

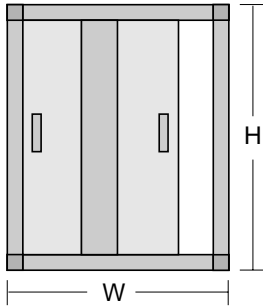
$H_2 = H_1$ minus 3-3/8"

$W_2 = (W_1 \text{ minus } 2-5/8") \div 2$

Series **25**

Tube FT-25T-PF-10-
 Corner joints (miterless) FT-25-PA-J2M-GR (2)
 FT-25-PA-JMLH-GR (1)
 FT-25-PA-JMRH-GR (1)
 Tube length H_2 or W_2 minus 3"
 Wire mesh or plastic panel dim. H_2 or W_2 minus 2-3/16"
 Glazing bead FT-PF-GZ1- (for 3/16"-1/4" thick panel)
 FT-PF-GZ2- (for 1/16"-1/8" thick panel or wire mesh)





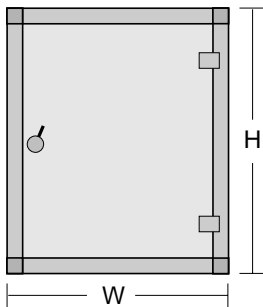
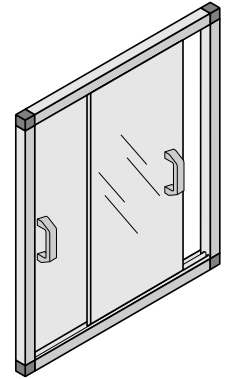
Sliding Panel Doors

Economical alternative when little or no door swing space is available.

Series **25**

Series **30**

Vertical tube	FT-25T-10-	FT-30T-10-
Top horizontal tube	FT-25T-SPT-10-	FT-30T-SPT-10-
Bottom horizontal tube	FT-25T-SPB-10-	FT-30T-SP-10-
Corner joint	FT-25-PA-J2-GR	FT-30-PA-J2-GR
Tube length	H or W minus 2"	H or W minus 2-3/8"
Plastic panel dim	H minus 2-3/8"	H minus 3-1/8"
.....	((W minus 2") ÷ 2) + 1/2"	((W minus 2-3/8") ÷ 2) + 1/2"



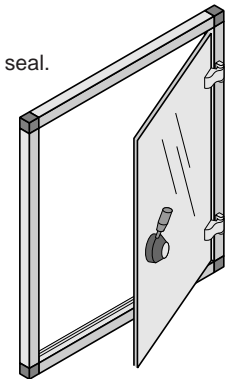
Unframed Panel Door with Door Seal Bead

Door is a piece of sheet plastic that is hinged to the frame. Latch secures door against flexible seal. Commonly used when enclosing dusty or wet environments.

Series **25**

Series **30**

Tube	FT-25T-PS-10-	FT-30T-PS-10-
Corner joint	FT-25-PA-J2-GR	FT-30-PA-J2-GR
Tube length	H or W minus 2"	H or W minus 2-3/8"
Plastic panel dim.	H or W minus 2-1/2"	H or W minus 2-7/8"
Door seal bead	FT-PS-DS1-GR (for 1/4"-3/8" panels and Series 25 or 30 tubes)	



Gull Wing Door

Gull wing doors swing up and out of the way and are ideal for areas where aisle space is limited.

Frame around door

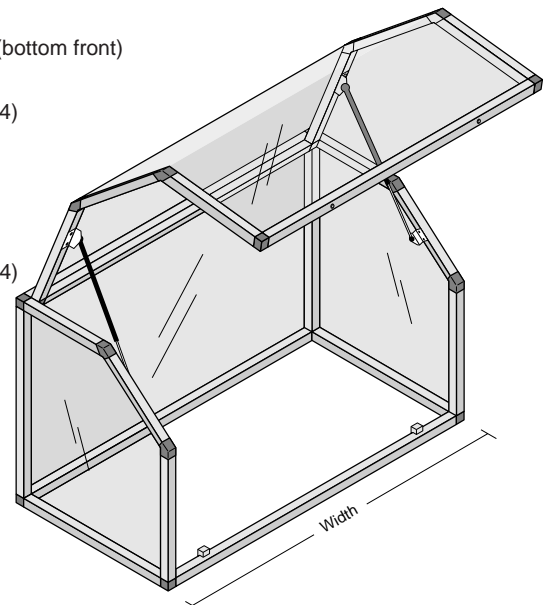
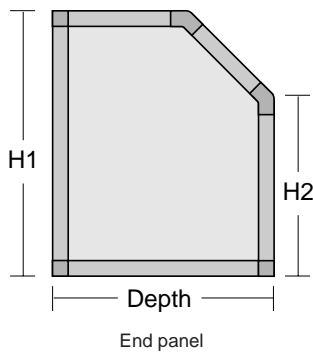
Series **30**

Vertical tube	FT-30T-PF-10-
Horizontal tubes	FT-30T-PF-10-, FT-30T- (bottom front)
Corner joints	FT-30-PA-J3S-GR (6)
.....	FT-30-PA-J2RS-45-GR (4)

Gull Wing Door Panel

Series **25**

Tube	FT-25T-PF-10-
Corner joints	FT-25-PA-J2RS-45-GR (4)
Corner joints (miterless)	FT-25-PA-J2M-GR (2)
.....	FT-25-PA-JMLH-GR (1)
.....	FT-25-PA-JMRH-GR (1)
45° side adapter	FT-25-ADP-R2-GR (4)



For panel and tube dimensions, please contact the Engineering Services Group with H1, H2, depth, and width.

Tubing Profiles

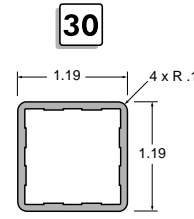
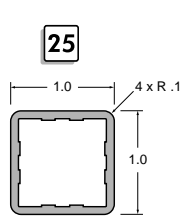
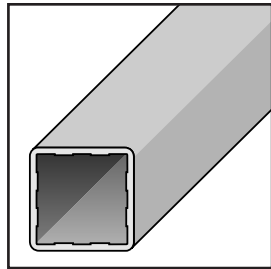
- 80 mil wall thickness, internally ribbed for greater strength and stiffness
- Two sizes available for most tubes: Series **25** 1" square for panels and doors
- Available in 10 ft. lengths
- Series **30** 1-3/16" square for framing structures
- 6063 T6 anodized aluminum in two finishes: Clear (-AN) and Elox tint (-LX) to match stainless steel

FlexTech Exclusive!

Square Aluminum Tube

FT-25T-10-AN
FT-25T-10-LX
FT-30T-10-AN
FT-30T-10-LX

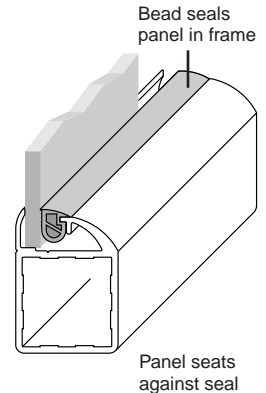
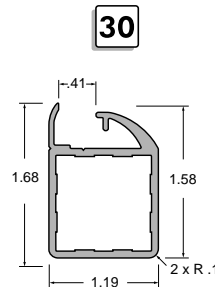
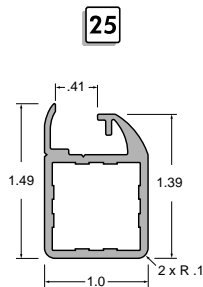
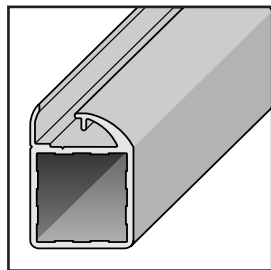
Used for basic frame structure.



Panel Glazing Tube

FT-25T-PF-10-AN
FT-25T-PF-10-LX
FT-30T-PF-10-AN
FT-30T-PF-10-LX

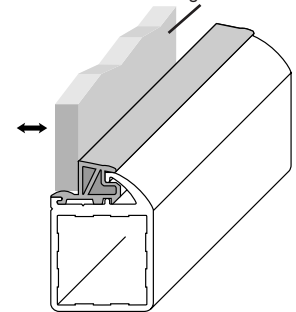
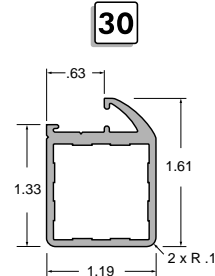
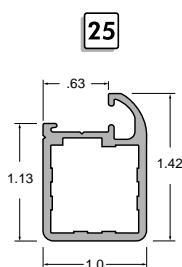
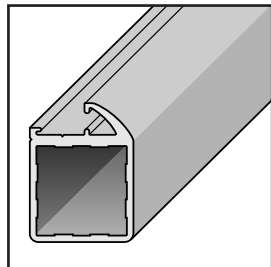
Retains and seals panels from 1/16" to 3/8" thick. Requires FT-PF-GZ1- or FT-PF-GZ2 glazing bead.



Panel Seal Tube

FT-25T-PS-10-AN
FT-25T-PS-10-LX
FT-30T-PS-10-AN
FT-30T-PS-10-LX

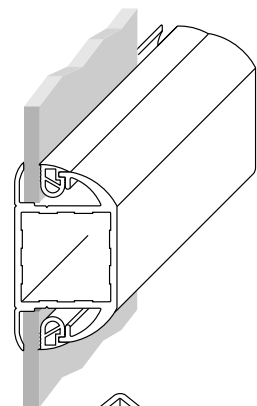
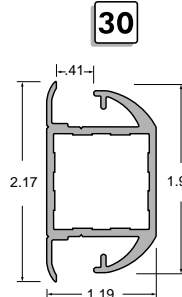
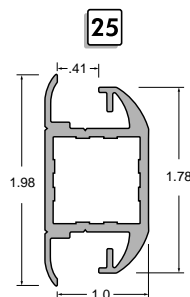
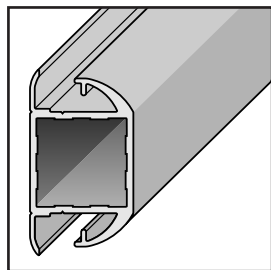
Used to make frameless sealed doors using panels from 1/4" to 3/8" thick. Requires FT-PS-DS1-door seal.



180° Panel Glazing Tube

FT-25T-PF-180-10-AN
FT-25T-PF-180-10-LX
FT-30T-PF-180-10-AN
FT-30T-PF-180-10-LX

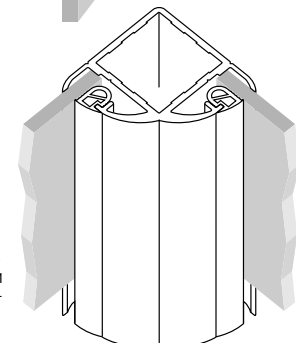
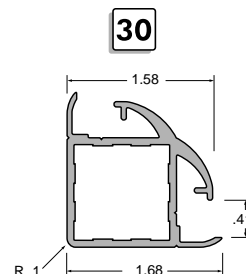
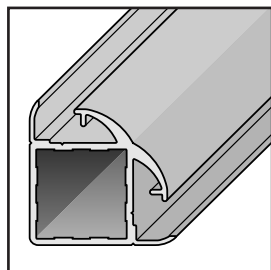
Retains and seals two adjacent panels from 1/16" to 3/8" thick. Requires FT-PF-GZ1- or FT-PF-GZ2- glazing bead.



90° Panel Glazing Tube

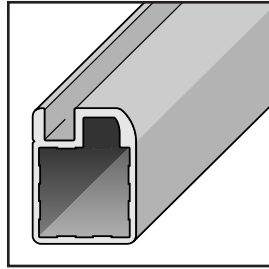
FT-30T-PF-90-10-AN
FT-30T-PF-90-10-LX

Retains and seals two panels from 1/16" to 3/8" thick in a corner. Requires FT-PF-GZ1- or FT-PF-GZ2- glazing bead.

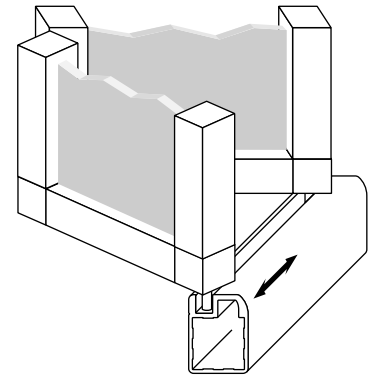
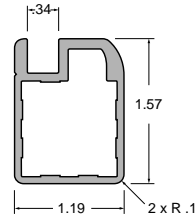


Bifold Track Tube
FT-30T-PT-10-AN
FT-30T-PT-10-LX

Used as upper and lower outside frame for bifold doors. Groove in tube retains the sliding pin (FT-PIN1-DL) attached to the bifold doors.

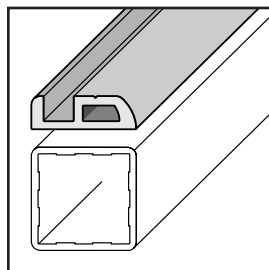


30

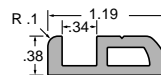


Bifold Track Adapter
FT-30C-PT-10-AN
FT-30C-PT-10-LX

Fastens to tubing. Used when the sliding track tube can't be used. See [page 26](#) for mounting details.

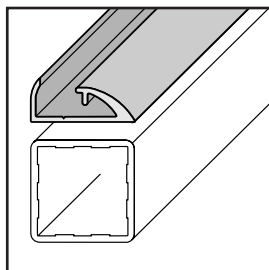


30

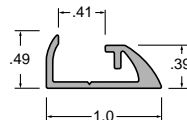


Panel Glazing Adapter
FT-25C-PF-10-AN
FT-25C-PF-10-LX
FT-30C-PF-10-AN
FT-30C-PF-10-LX

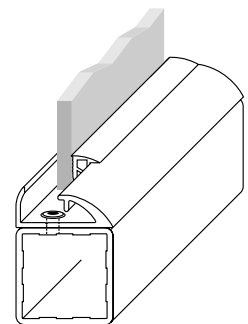
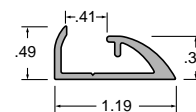
Fastens to tubing. Used to retain and seal panels when the panel glazing tube can't be used. See [page 26](#) for mounting details.



25

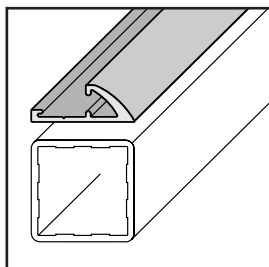


30

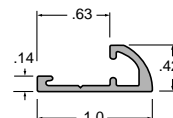


Panel Seal Adapter
FT-25C-PS-10-AN
FT-25C-PS-10-LX
FT-30C-PS-10-AN
FT-30C-PS-10-LX

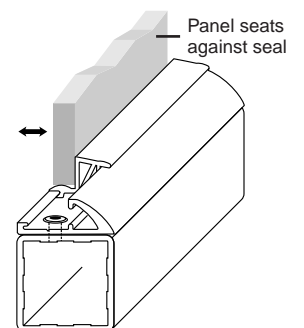
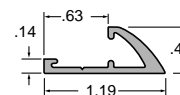
Fastens to tubing. Used to make a frameless sealed door when the panel seal tube can't be used. See [page 26](#) for mounting details.



25

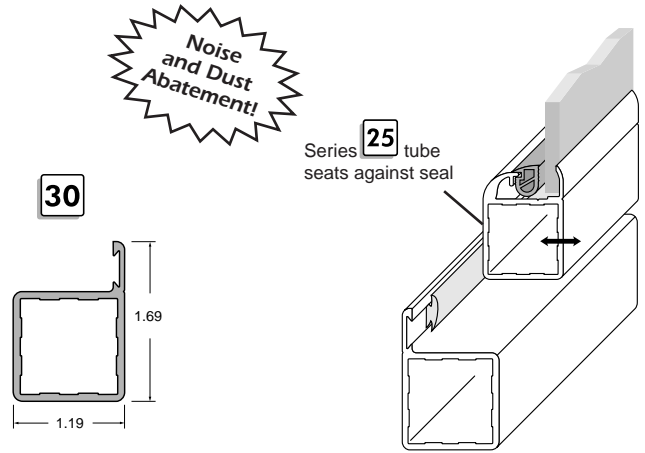
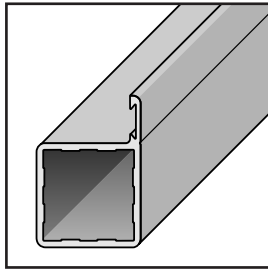


30



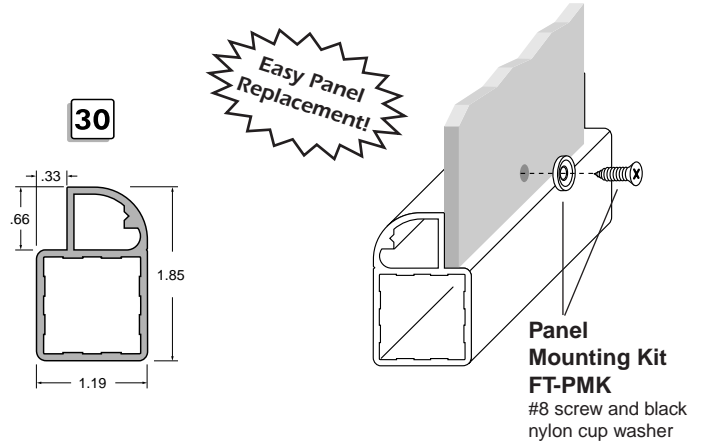
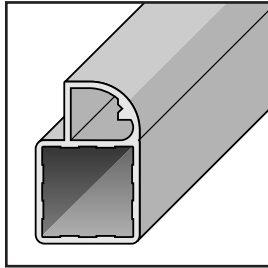
Framed Door Seal Tube FT-30T-FDS-10-AN FT-30T-FDS-10-LX

Used as a frame around a Series 25 door. Door seats against seal bead to keep dust, spray and noise inside of enclosure. See [page 15](#) for seal bead.



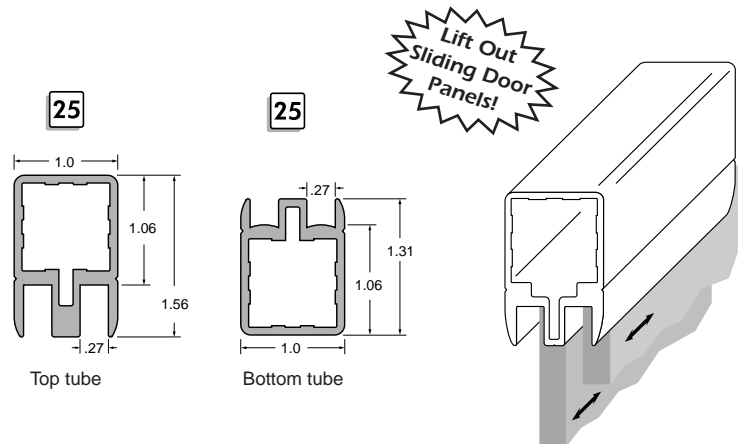
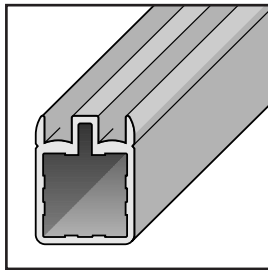
Panel Mounting Tube FT-30T-PM-10-AN FT-30T-PM-10-LX

Used to mount removable panels up to 1/4" thick.



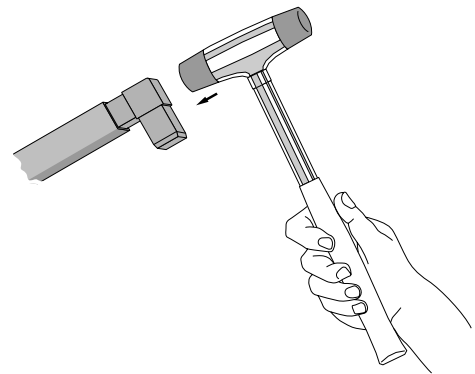
Sliding Panel Tube FT-25T-SPT-10-AN (top) FT-25T-SPT-10-LX (top) FT-25T-SPB-10-AN (bottom) FT-25T-SPB-10-LX (bottom)

Used to make sliding doors with panels up to 1/4" thick. Deeper top channels permit lift-out panel removal.

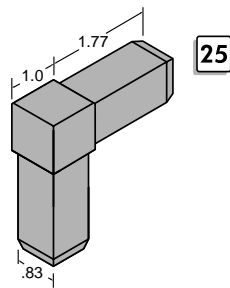


Corner Joints

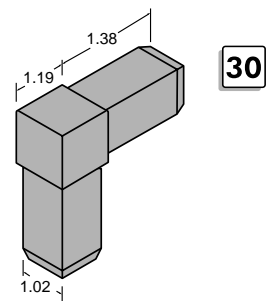
- Glass reinforced polyamide construction tightly connects tube sections
- Gray color
- Two sizes available: For Series **25** tubing
For Series **30** tubing



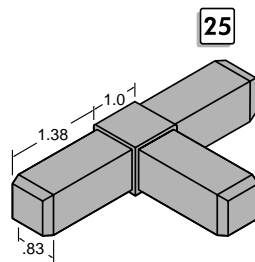
90° Corner Joint
FT-25-PA-J2-GR
Connects two Series 25 tubes at a corner.



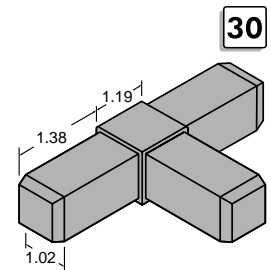
90° Corner Joint
FT-30-PA-J2-GR
Connects two Series 30 tubes at a corner.



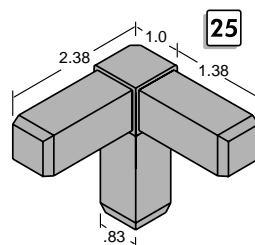
Tee Joint
FT-25-PA-JT3-GR
Connects three Series 25 tubes at a tee.



Tee Joint
FT-30-PA-JT3-GR
Connects three Series 30 tubes at a tee.

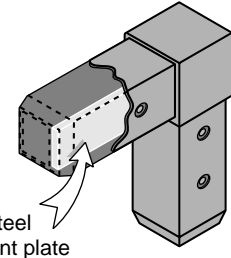


3 Way Corner Joint
FT-25-PA-J3-GR
Connects three Series 25 tubes at a corner.



Steel Reinforced Corner Joints

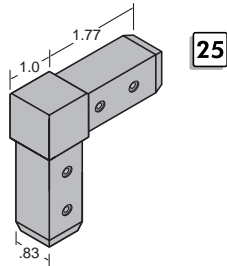
- Glass reinforced nylon with steel inserts are up to 50% stronger than unreinforced joints
- Gray color
- Two sizes available: For Series **25** tubing
For Series **30** tubing



Molded-in steel reinforcement plate

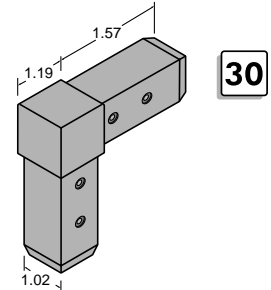
90° Corner Joint FT-25-PA-J2S-GR

Connects two Series 25 tubes at a corner.



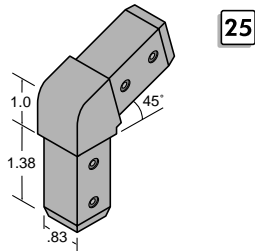
90° Corner Joint FT-30-PA-J2S-GR

Connects two Series 30 tubes at a corner.



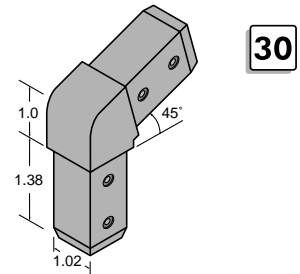
45° Corner Joint FT-25-PA-J2RS-45-GR

Most commonly used with Series 25 tubes on gull wing doors. On smaller doors, eliminates the need to use a 45° brace.



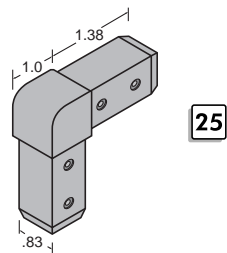
45° Corner Joint FT-30-PA-J2RS-45-GR

Most commonly used with Series 30 tubes for frames around gull wing doors.



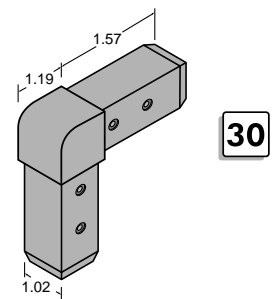
90° Rounded Corner Joint FT-25-PA-J2RS-GR

Connects two Series 25 tubes at a corner.



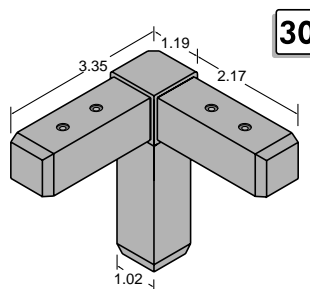
90° Rounded Corner Joint FT-30-PA-J2RS-GR

Connects two Series 30 tubes at a corner.



3 Way Corner Joint FT-30-PA-J3S-GR

Connects three Series 30 tubes at a corner.



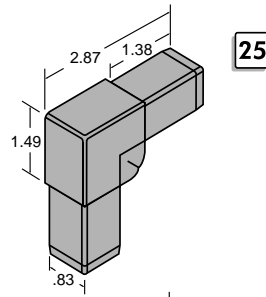
Special Corner Joints



Miterless Corner Joint

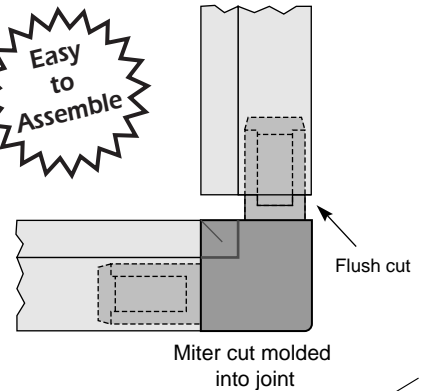
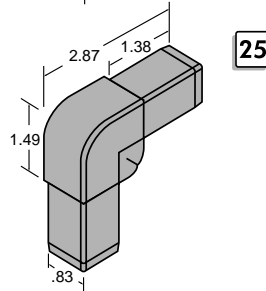
FT-25-PA-J2M-GR

The built-in miter is a time saving feature which eliminates the need to make miter cuts on the tube. Used with Series 25 Panel Glazing Tube only.



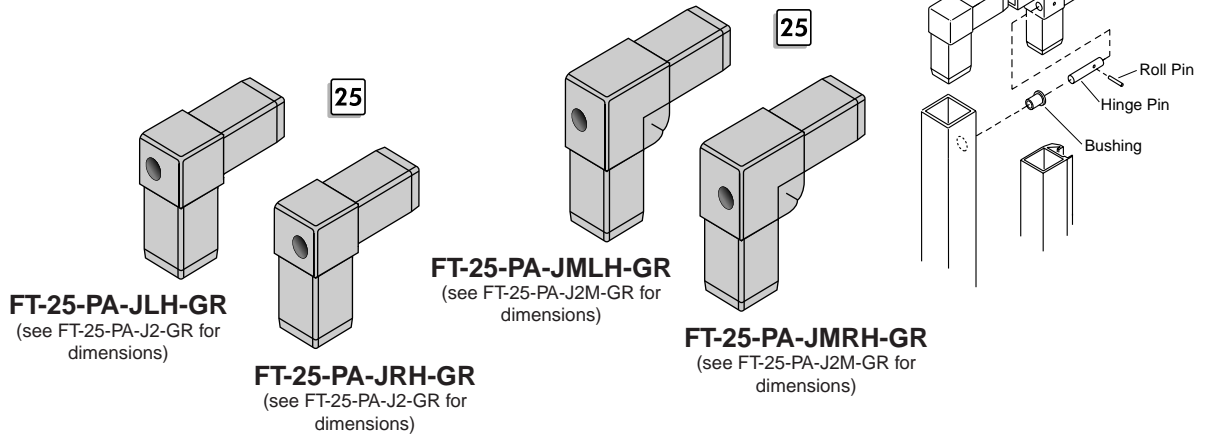
Rounded Miterless Corner Joint

FT-25-PA-J2MR-GR



Internal Hinge Corner Joints

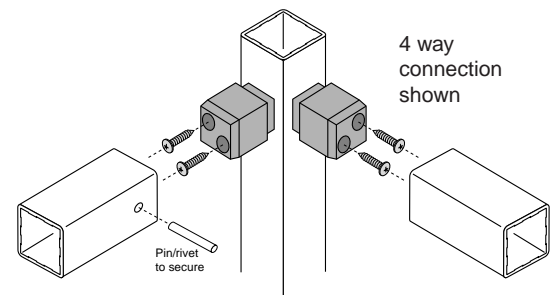
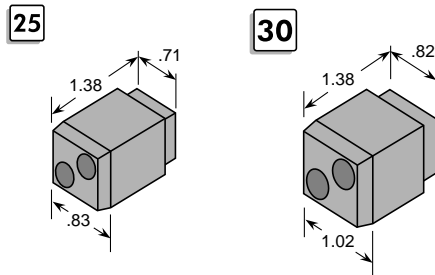
Sockets built into the corner joint accept steel hinge pins. Right or left hand versions are defined by the offset location of the socket on the corner joint. The socket location is offset 3/16" so that the Series 25 framed door will be flush with the outside of the Series 30 frame. See [page 21](#) for hinge details.



Internal Connectors

FT-25-PA-PLG

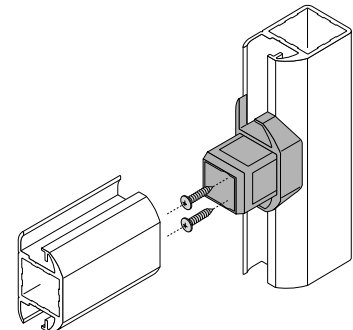
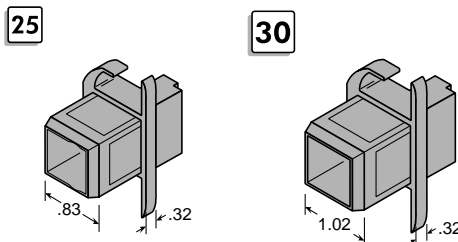
Connects two tubes at 90° without using a 90° Corner Joint. Used to make 4, 5, and 6 way connections. Available in gray polyamide.



Miterless Tee Connectors

FT-25-PA-MT

Connects two panel glazing tubes at 90° without requiring a miter cut. See [page 26](#) for hardware mounting details. Available in gray polyamide.



Adapters

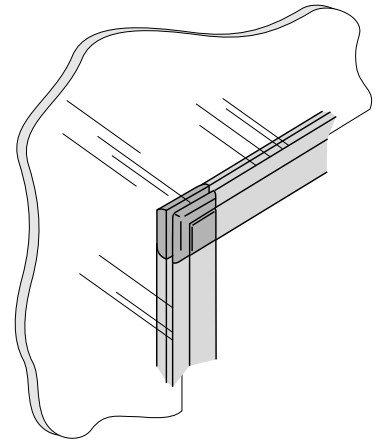
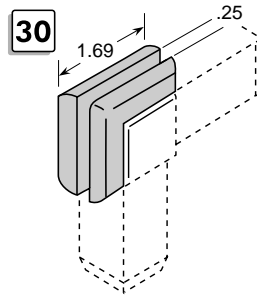
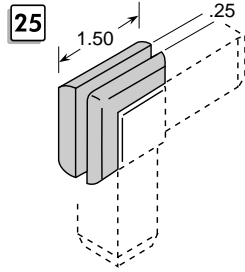
■ Gray color

Internal Corner Adapter

FT-25-ADP-01-GR

FT-30-ADP-01-GR

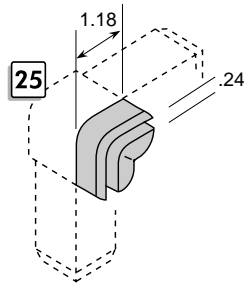
Reinforced polyamide adapters are used to capture 1/4" or thinner panels when Panel Glazing Tubing is used to create an internal corner. Fasteners included.



90° Side Adapter

FT-25-ADP-R1-GR

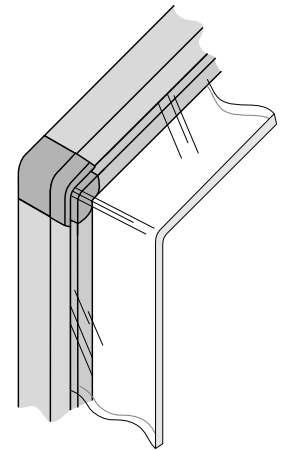
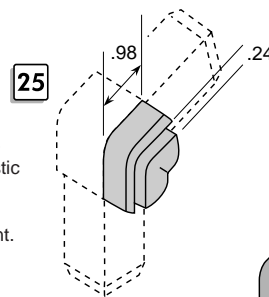
Reinforced polyamide adapters are used to capture 90° curved panels. Used with Series 25 Panel Glazing Tube, 90° Rounded Corner Joint, and 1/4" or thinner panel. Fasteners included.



45° Side Adapter

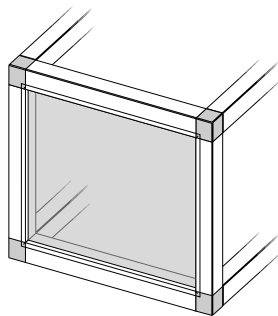
FT-25-ADP-R2-GR

Reinforced polyamide adapters are used to capture 1/4" or thinner plastic panels on framed gull wing doors. Used with Series 25 Panel Glazing Tube and 45° Rounded Corner Joint. Fasteners included.

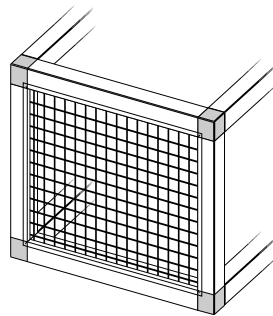


Panel Materials

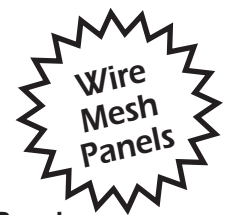
FlexTech structures can be made with a wide variety of panel materials. The material typically used is clear or tinted plastic panels. Panel thickness, depending on the tubes and accessories used, can vary from 1/16" to 3/8". Clear plastic panels are available with kits or complete enclosures ordered from our Engineering Services Group.



FlexTech with plastic panel.



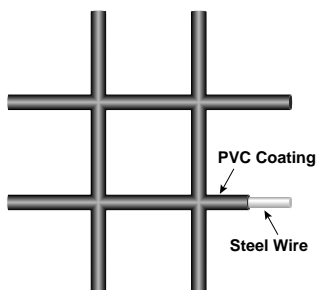
FlexTech with wire mesh panel.



Wire Mesh Panels

FT-MESH-

PVC coated wire mesh is the preferred panel material for certain structures, and can be specified through our Engineering Services Group, or ordered separately. Wire mesh sizes are 1/2" x 1/2" or 1" x 1", and are available in black or safety yellow. Panel sizes can be ordered by the linear foot (4' wide roll stock) or in standard 4' x 8' panels.



Wire Mesh by the Foot (48" x linear ft.)

Part Number	Mesh Size	Color
FT-MESH-05-YL	1/2" x 1/2"	Safety Yellow
FT-MESH-05-BK	1/2" x 1/2"	Black
FT-MESH-10-YL	1" x 1"	Safety Yellow
FT-MESH-10-BK	1" x 1"	Black

Wire Mesh Panels (48" x 96")

Part Number	Mesh Size	Color
FT-MESH-4x8-05-YL	1/2" x 1/2"	Safety Yellow
FT-MESH-4x8-05-BK	1/2" x 1/2"	Black
FT-MESH-4x8-10-YL	1" x 1"	Safety Yellow
FT-MESH-4x8-10-BK	1" x 1"	Black

Panel Seals

Panel Glazing Bead

FT-PF-GZ1-10-AN

FT-PF-GZ1-10-LX

FT-PF-GZ1-30-AN

FT-PF-GZ1-30-LX

For 3/16" to 1/4" thick panels.

FT-PF-GZ2-10-AN

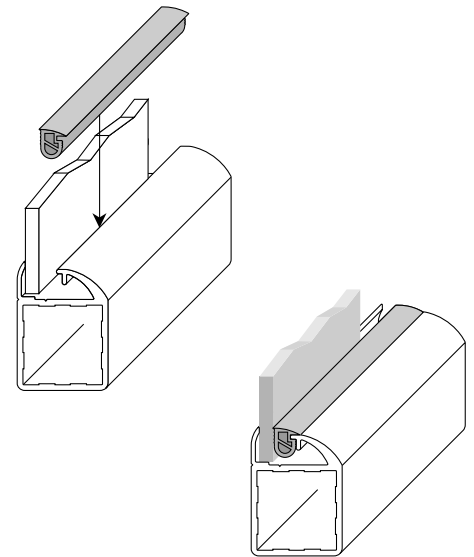
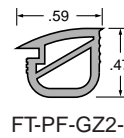
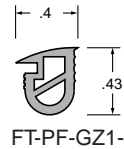
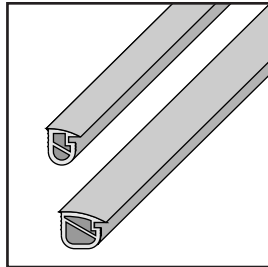
FT-PF-GZ2-10-LX

FT-PF-GZ2-30-AN

FT-PF-GZ2-30-LX

For 1/16" to 1/8" thick panels.

Available in 2 colors to match clear anodized or Elox tint aluminum tube finishes. Retains and seals panels in Series 25 and 30 Panel Glazing Tubes or Panel Glazing Adapters.

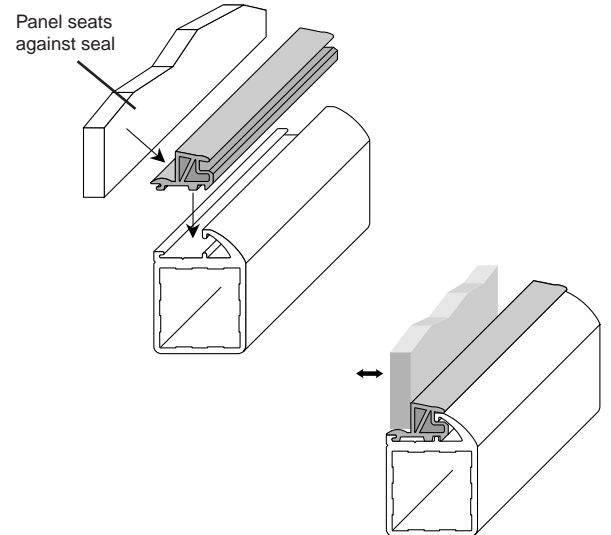
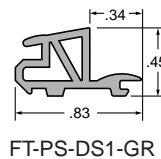
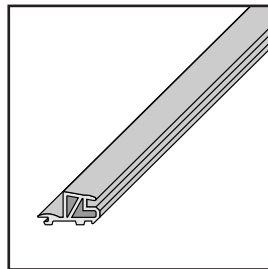


Panel Seal

FT-PS-DS1-10-GR

FT-PS-DS1-30-GR

Used on FT-25T-PS- or FT-30T-PS- Panel Seal Tube to make frameless sealed doors.

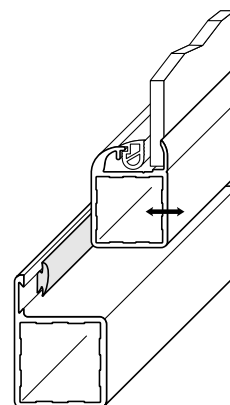
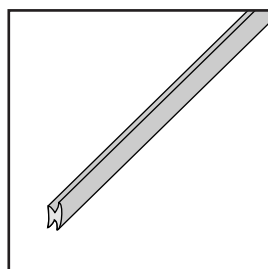


Seal Bead

FT-FDS-GZ-10-LX

FT-FDS-GZ-30-LX

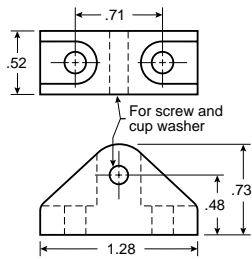
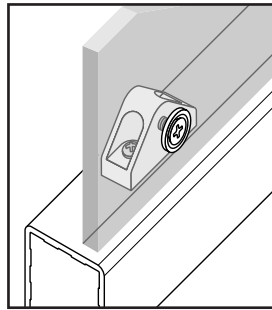
Used on FT-30T-FDS-10-tube to seal framed door against flange.



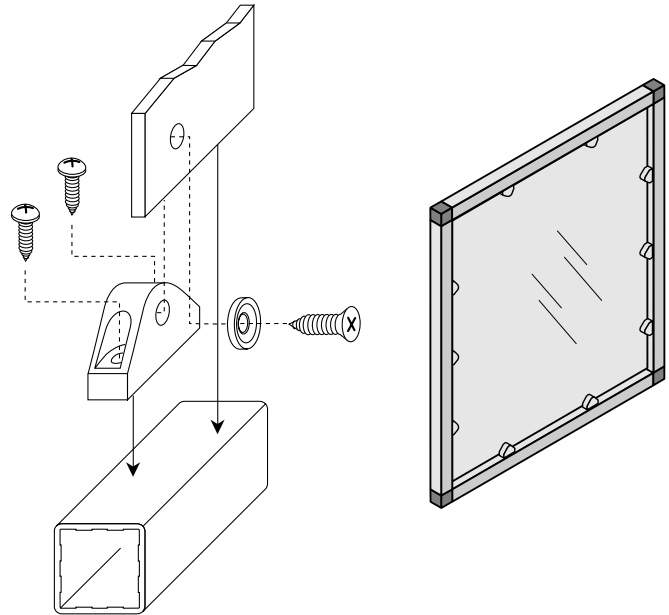
Panel Mounting

Mounting Block Kit FT-PMB-01-CLR FT-PMB-01-GR

Made from clear polycarbonate or glass reinforced gray polyamide, mounting blocks are used where easy panel removal is needed and an air tight seal is not a concern. Designed to be placed around the inside of the panel frame, mounting blocks can be used to support both vertical and horizontal panels, such as side panels and enclosure tops. Hardware included.

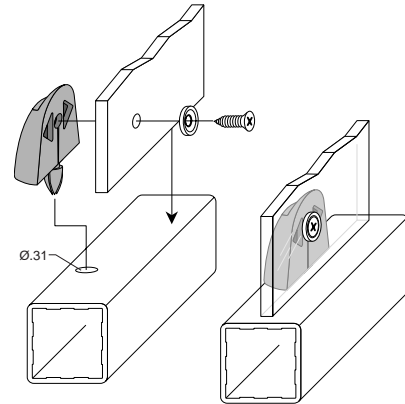
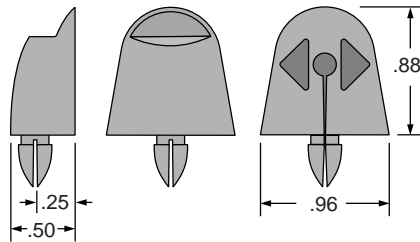


For additional panel mounting options, see pg. 42.



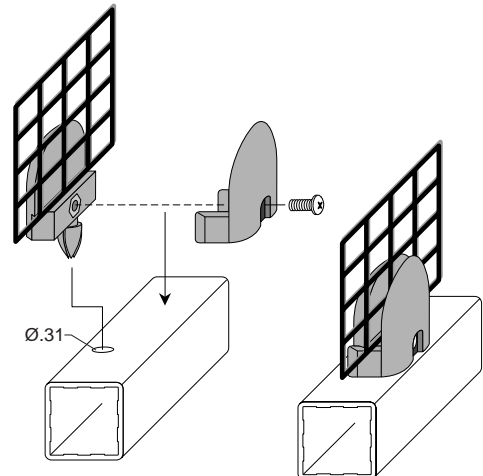
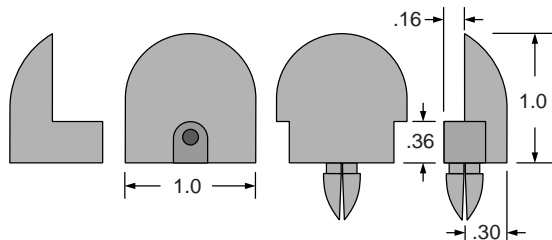
One Sided Pop-In Panel Clamp FT-PMC1-GR

Nylon pop-in panel clamps are easy to install and permit removal of the panel. Hardware included. Panel thickness range: 3/16" to 3/8".



Two Sided Pop-In Panel Clamp FT-PMC2-GR

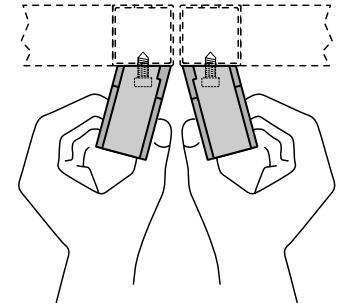
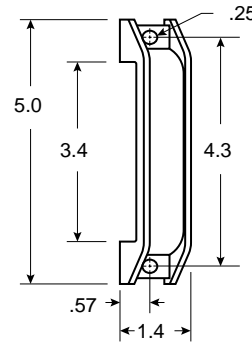
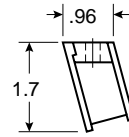
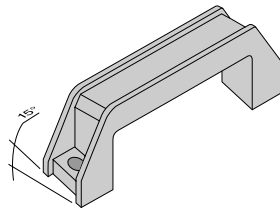
Nylon pop-in panel clamps are easy to install and do not require holes to be drilled into the panel. Can be used to retain plastic and wire mesh panels. Hardware included. Panel thickness range: 3/16" to 3/8".



Handles

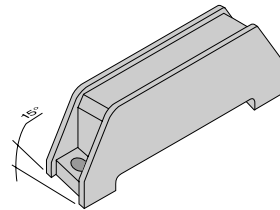
15° Offset Thru Handle

FT-HDL-1-GR (Gray)
 Made of high strength gray polyamide.
 Ergonomic 15° offset.



15° Offset Closed Handle

FT-HDL-1-C-GR (Gray)
 Made of high strength gray polyamide.
 The 15° offset and closed design
 allows easy opening without pinched
 fingers and scraped knuckles when
 handles are mounted side by side on
 adjacent doors.

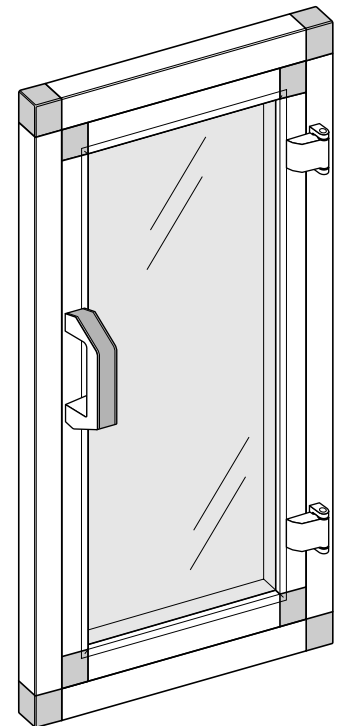
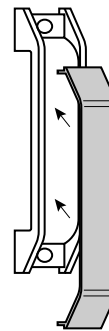
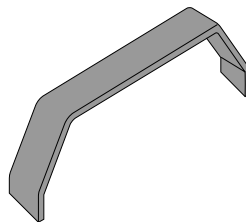


Handle Cover

FT-HDL-1-CAP-OR (Safety Orange)

FT-HDL-1-CAP-BK (Black)

Handle cover fits both thru and closed offset
 handles to aid in visibility and safety.



For additional handles, see pg. 43

Door Closures

■ See [page 26](#) for mounting details

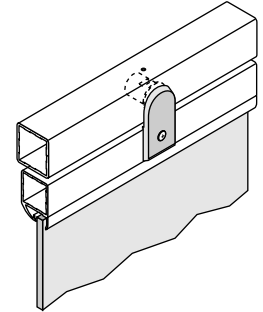
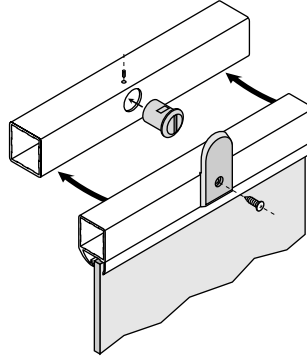
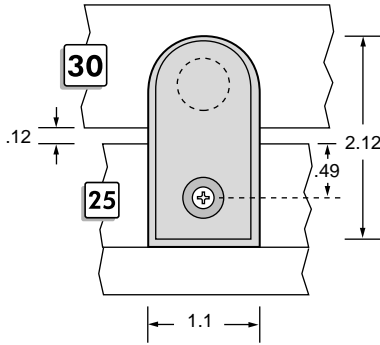
Magnet

Doorstop
is shown
on [page 24](#)

Door Magnet Kit (outside mount)

FT-MAG-21-GR

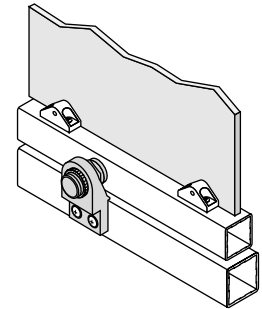
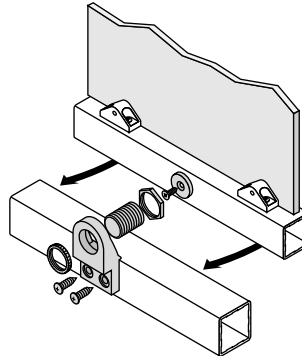
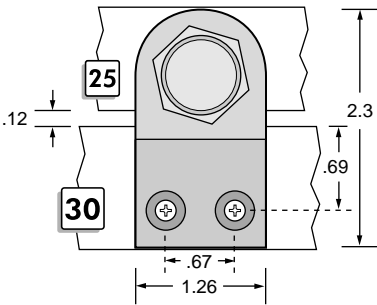
Keeps framed doors closed. Magnet is mounted into Series 30 frame and reinforced polyamide catch is mounted on outside of Series 25 framed panel door. Hardware included.



Door Magnet Kit (inside mount)

FT-MAG-22-GR

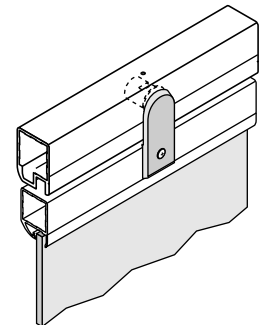
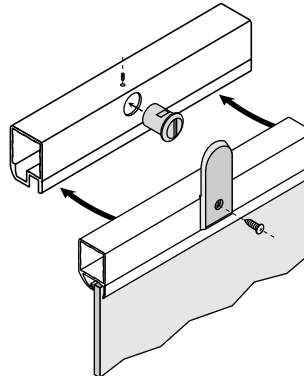
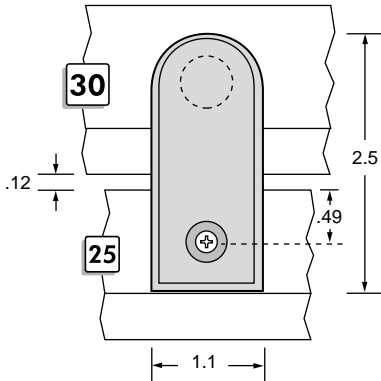
Keeps framed doors closed. Magnet and reinforced polyamide support are mounted on inside of Series 30 frame and metal catch is mounted on inside of Series 25 framed panel door. Hardware included.



Door Magnet Kit (bifold door outside mount)

FT-MAG-31-GR

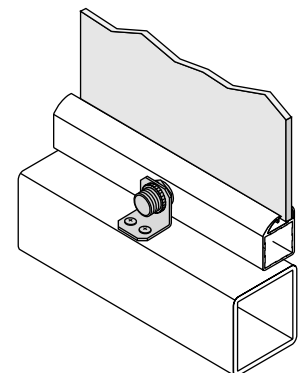
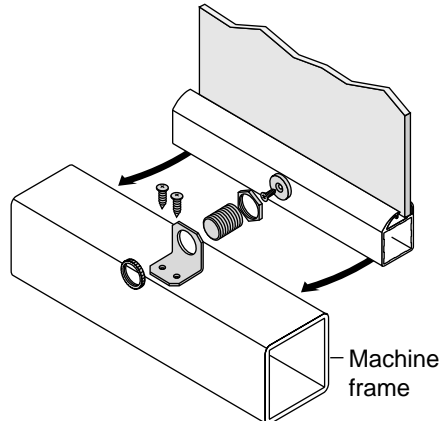
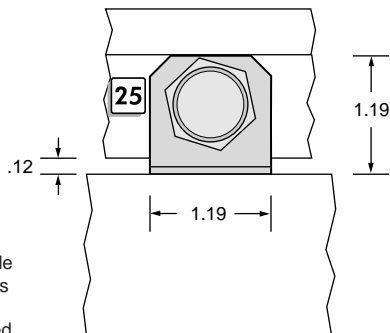
Keeps framed doors closed. Magnet is mounted on Series 30 Bifold Track Tube and reinforced polyamide catch is mounted on outside of Series 25 framed panel door. Hardware included.



Door Magnet Kit (inside mount)

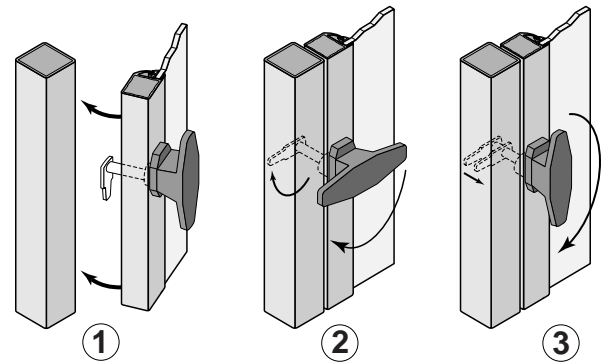
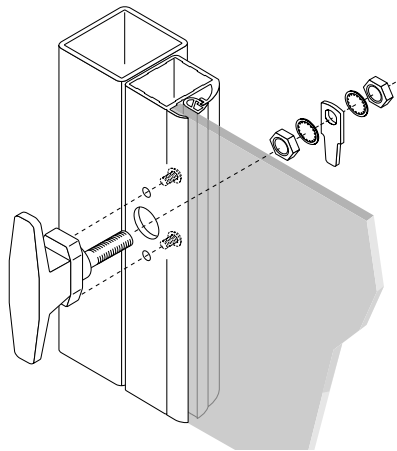
FT-MAG-32

Keeps framed doors closed when doors are mounted directly onto machine frame. Magnet and stainless steel support are mounted on inside of machine frame and catch is mounted on inside of framed panel door. Hardware included.



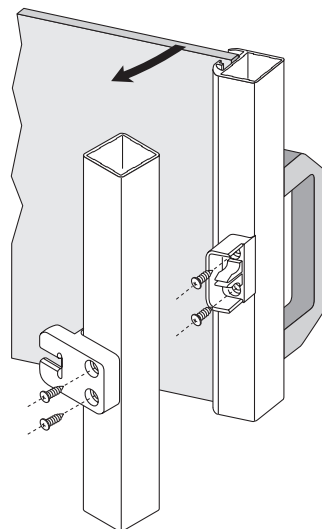
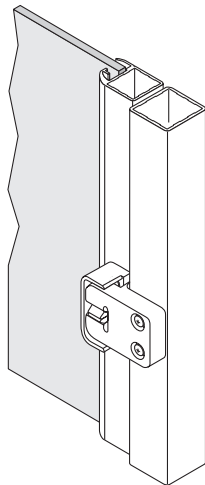
Framed Door Compression Latch FT-FDLAT-02

Used with a Series 25 framed door and Series 30 outside frame. With a half turn of the handle, the door is latched tightly to the frame. Black powder coated metal handle. Requires two doorstops, FT-HDS-01-, page 24. All hardware is included. See page 26 for mounting details.



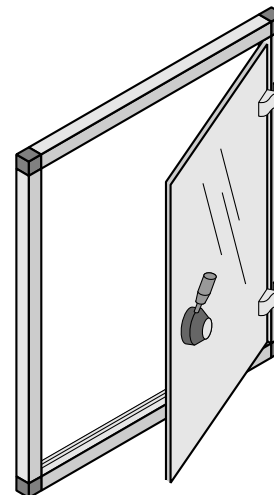
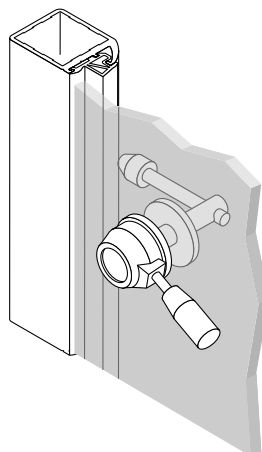
Framed Door Latch FT-FDLAT-01

Nylon latch is used with a Series 25 framed door and Series 30 outside frame to provide a secure, flush closure. For use on standard, sealed frame and bifold doors.



Panel Door Latch FT-LAT-01

Plastic and anodized aluminum latch for unframed doors. Ergonomic latch is mounted into door panel. Handle rotates through 360° with click stops every 90°. Latch pawl engages panel seal tube.



FLEXTECH™

Hinges

■ Anodized aluminum in two finishes: Clear and Elox tint to match stainless steel

See **page 26** for mounting details.

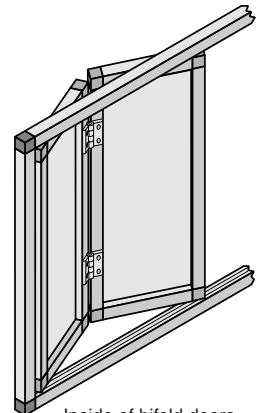
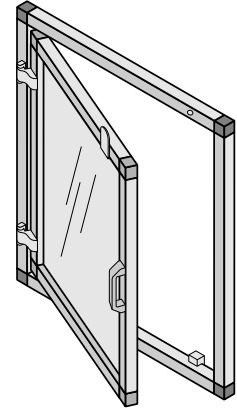
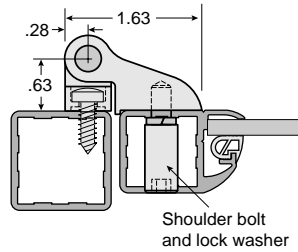
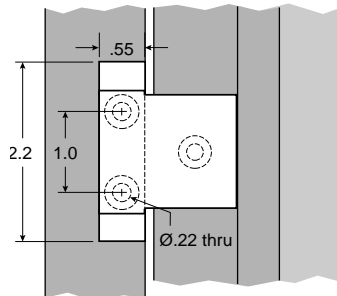
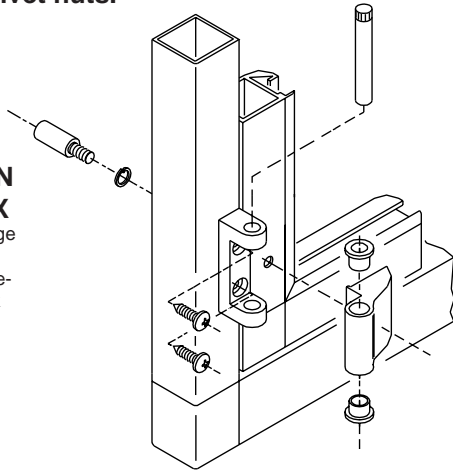
See **page 29** for mounting hardware.

Sheet metal screws shown.

See **page 24** for rivet nuts.

Frame Hinge Mounting Kit FT-HNG-21-AL-AN FT-HNG-21-AL-LX

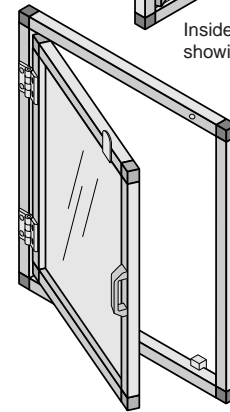
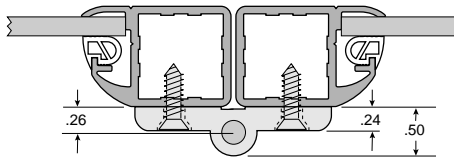
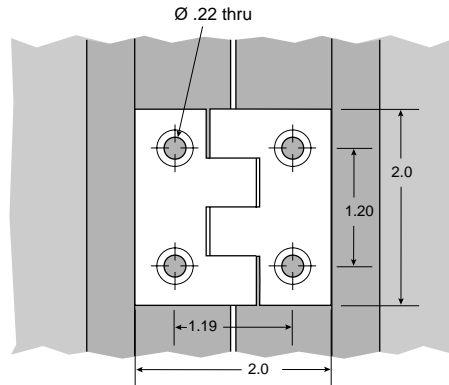
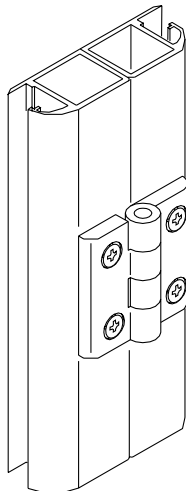
Heavy duty aluminum hinge used to attach a framed panel door to a frame. Special shoulder bolt and lock washer included.



Inside of bifold doors showing flush hinges.

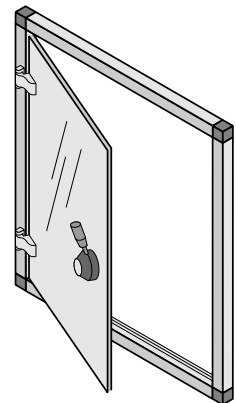
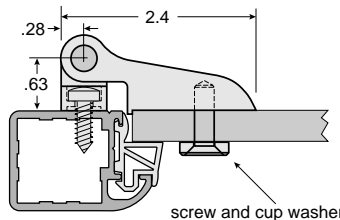
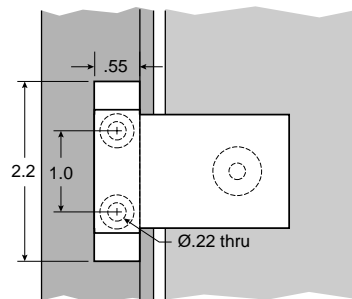
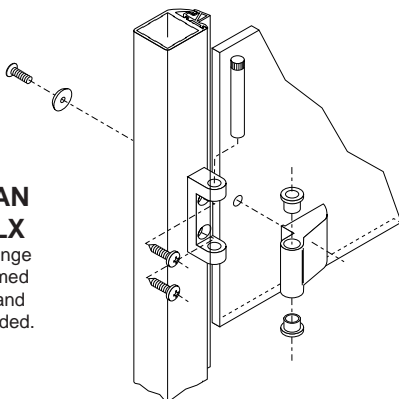
Flush Hinge FT-HNG-01-AL-AN FT-HNG-01-AL-LX

Medium duty aluminum hinge used to connect bifold doors together or attach a framed panel door to a frame.



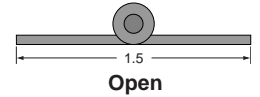
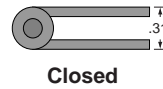
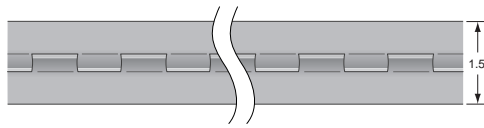
Panel Door Hinge Kit FT-HNG-22-AL-AN FT-HNG-22-AL-LX

Heavy duty aluminum hinge used to attach an unframed door to a frame. Screw and plastic cup washer included.



Stainless Steel Continuous Hinge FT-HNG-02-SS

Made of 304 stainless steel.
Available in 8 ft. lengths.

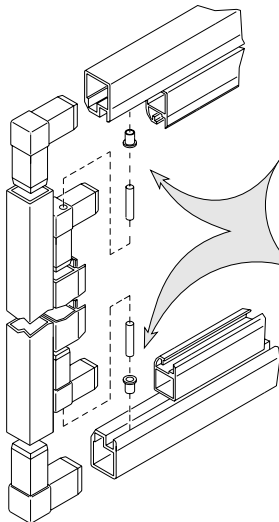
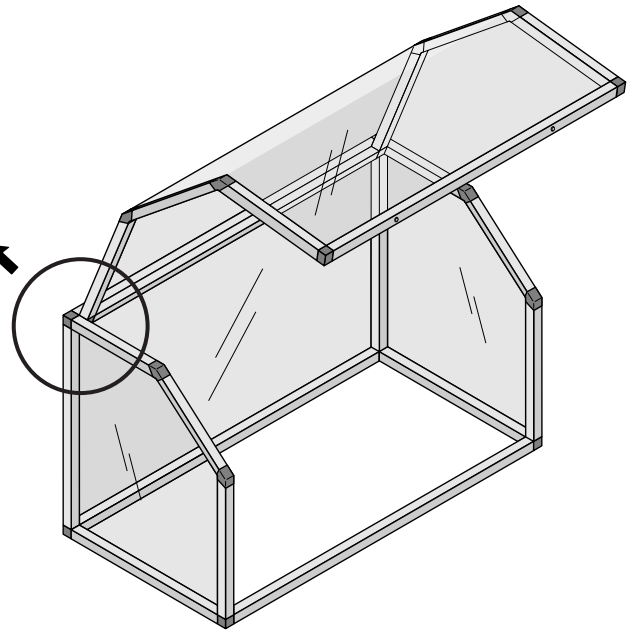
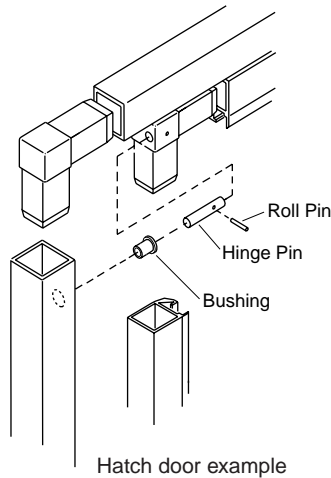


Internal Hinge Pin Kit FT-PIN2

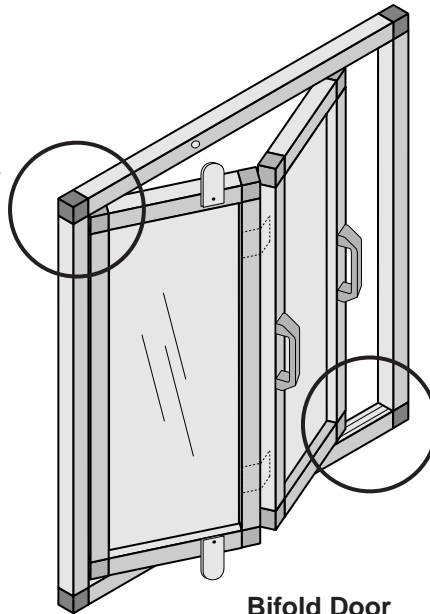
Steel pin is used with Internal Hinge Corner Joint to attach a framed panel door to a frame. Hinge pin, plastic bushing, and roll pin are included.

The hole in the Internal Hinge Corner Joint is positioned toward the outside of the structure. Since the socket location is offset, the Series 25 door panels will be flush with the Series 30 frame.

Note: Cannot be used with Framed Door Seal Tube (FT-30T-FDS-10-).

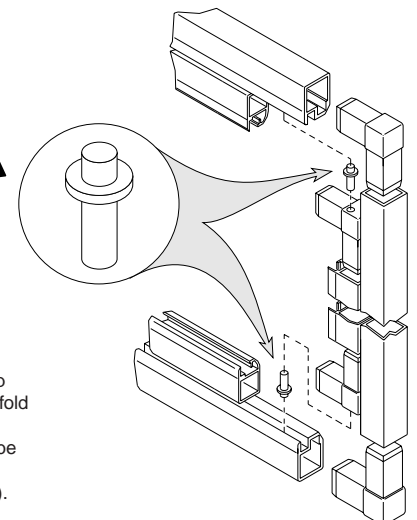


Bifold door example



Bifold Door Slide Pin FT-PIN1-DL

Acetal pin is used on the top and bottom sliding end of bifold doors. The pin slides in the track of the Sliding Track Tube and requires Internal Hinge Corner Joints (see page 13).



Gas Springs

FT-GS-

Gas springs are used on gull wing and hatch doors to assist in opening doors and keeping them in their open positions. Most doors require two gas springs so that the load on the springs and the door frame is balanced.

The ends of the springs have sockets which fit over a ball on the mounting brackets. This attachment allows some flexibility in mounting locations such that the brackets do not have to be directly in line with each other. Two mounting bracket types are available. Gas springs are always mounted rod end down.

Available stock sizes should work for most applications, but other sizes and spring forces are available. Please call our Engineering Services Group for assistance in sizing and locating gas springs.

FT-GS-1220

Extended: 12 in.
Compressed: 8.5 in.
Stroke: 3.5 in.
Spring Force: 20 lbs.

FT-GS-1240

Extended: 12 in.
Compressed: 8.5 in.
Stroke: 3.5 in.
Spring Force: 40 lbs.

FT-GS-2020

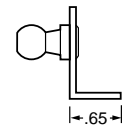
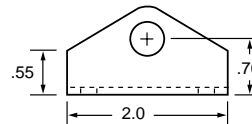
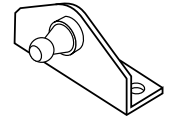
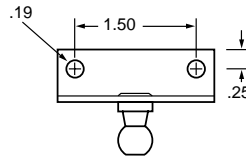
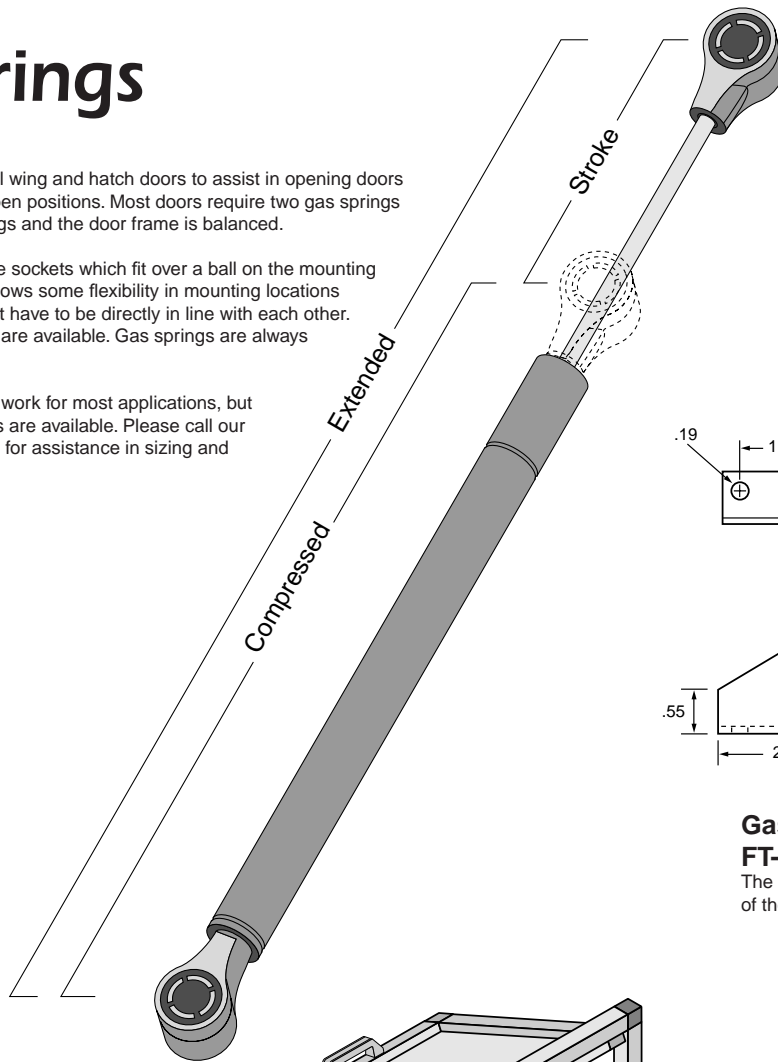
Extended: 20 in.
Compressed: 12 in.
Stroke: 8 in.
Spring Force: 20 lbs.

FT-GS-2040

Extended: 20 in.
Compressed: 12 in.
Stroke: 8 in.
Spring Force: 40 lbs.

FT-GS-2080

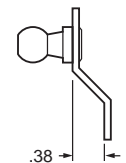
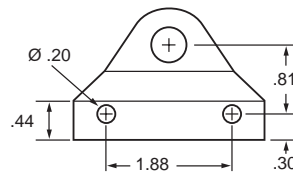
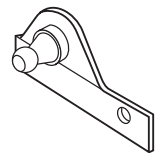
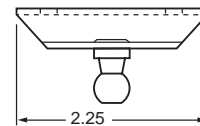
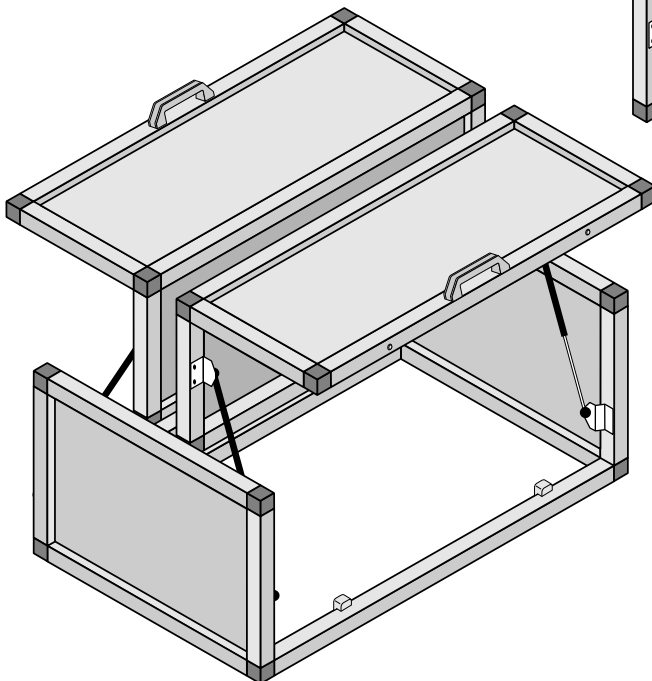
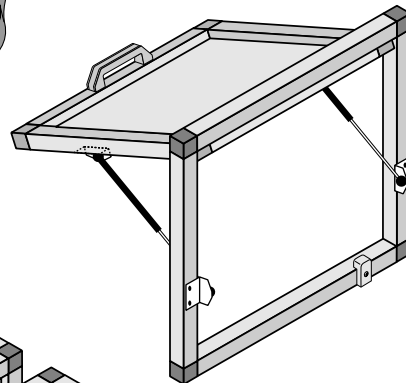
Extended: 20 in.
Compressed: 12 in.
Stroke: 8 in.
Spring Force: 80 lbs.



Gas Spring Mounting Bracket

FT-GSMB-1

The right angle bracket is mounted on the back side of the tube.



Flush Mount

Gas Spring Mounting Bracket

FT-GSMB-6

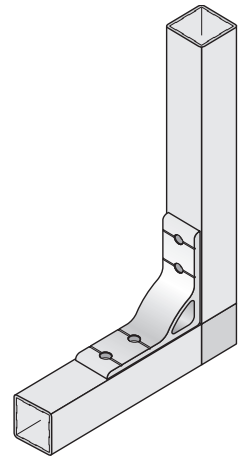
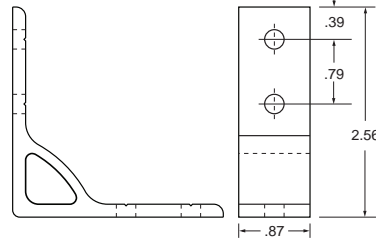
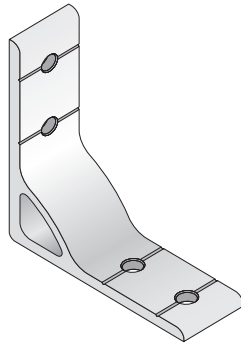
The flush mount bracket is mounted on the side of the tube. Most commonly used with gull wing doors. Requires 1/4" spacing between door and frame.

Braces

NEW

FT-25-BRC-03 90° Angle Brace

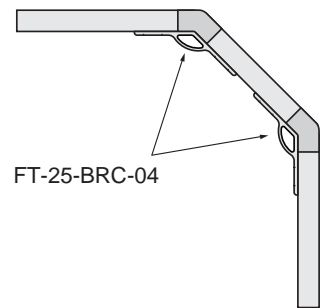
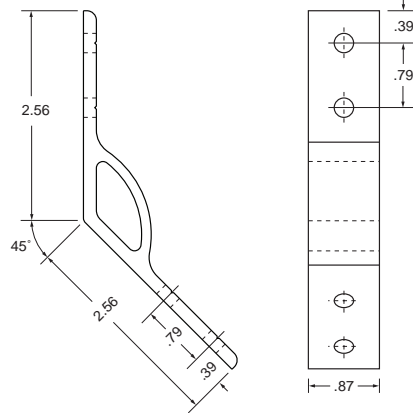
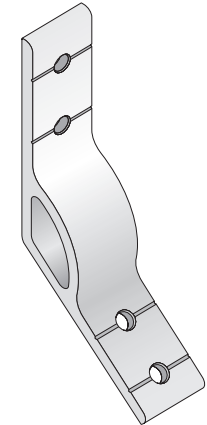
Aluminum support brace is used to support 90° corners. Mounting screws included.



NEW

FT-25-BRC-04 45° Angle Brace

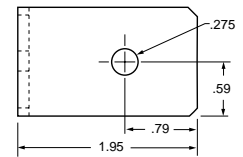
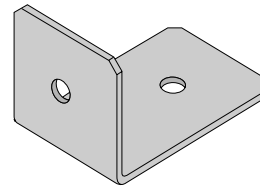
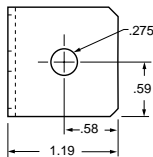
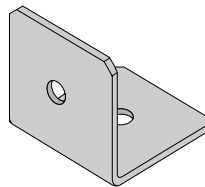
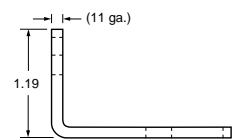
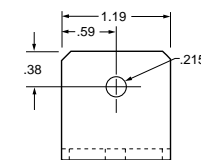
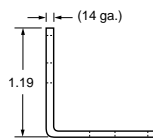
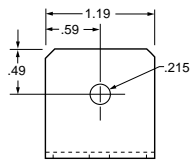
Aluminum support brace is used to support 45° corners commonly used on gull wing doors. Mounting screws included.



FT-25-BRC-04

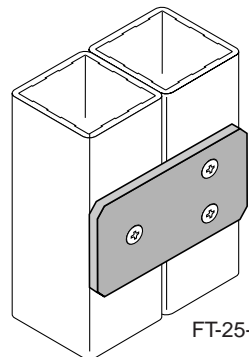
Angle Brackets FT-30-SUP-01 FT-30-SUP-02

Stainless steel angle brackets are used as added corner support or to attach tubing or frames to other equipment. Hardware not included.

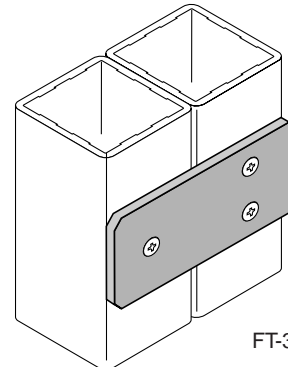


Joining Plate FT-25-PLT FT-30-PLT

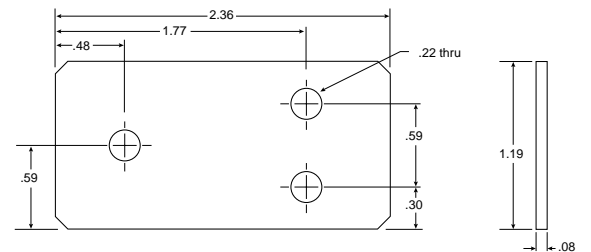
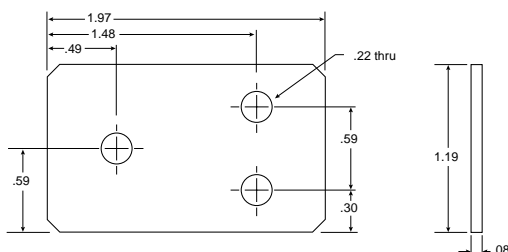
Stainless steel joining plates are used to connect adjoining tubes together. Hardware not included.



FT-25-PLT



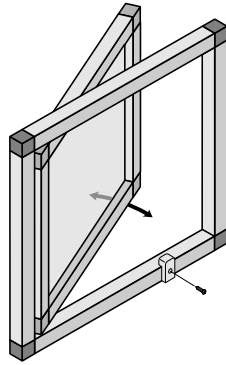
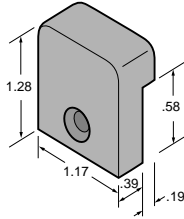
FT-30-PLT



FlexTech Accessories

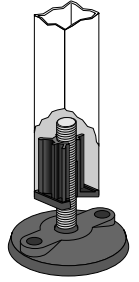
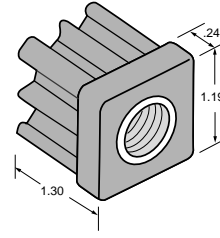
Door Stop

FT-HDS-01-GR (Gray)
Reinforced polyamide door stop is typically mounted on the bottom of the Series 30 frame. Mounting screw included.



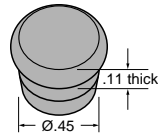
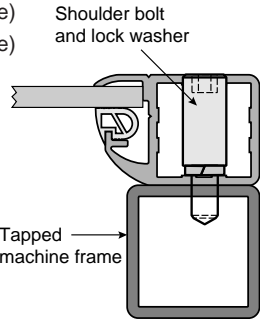
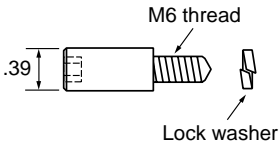
Threaded Tube Ends

FT-END-01-BK (M16 thread)
FT-END-02-BK (5/8-11 thread)
Black reinforced polyamide tube ends insert tightly into Series 30 tubes and accept M16 or 5/8-11 threaded adjustable levelers.



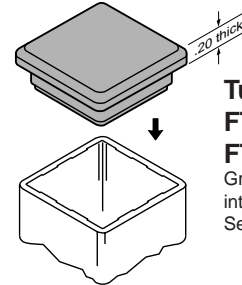
Shoulder Bolts

FT-FAST-01 (for Series 25 tube)
FT-FAST-02 (for Series 30 tube)
Plated steel bolts are used to mount Series 25 and Series 30 tubes to other tubes or frames. Lock washer included.



Bumper Cap

FT-PCP-GR
Gray plastic caps are used on the bottom of gull wing doors to protect the frame from marring.



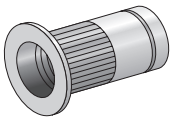
Tube Caps

FT-25-CAP-GR
FT-30-CAP-GR
Gray plastic caps fit tightly into the ends of Series 25 or Series 30 tubes.

Valu Guard Assembly Accessories

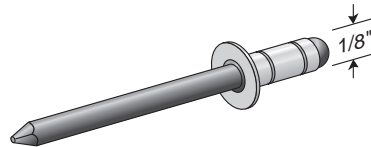
Rivet Nuts

11044 (10-32 thread for handles and accessories)
11045 (M6 thread for FT-FAST- shoulder bolts)
Plated steel, threaded fastener is inserted from the front side of a tube. Provides a more secure fastening method than sheet metal screws.



Pop Rivets

14037
Used to secure joints and adapters to tubes. Aluminum with steel mandrel.



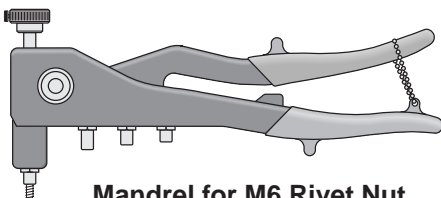
Panel Cleaning Solution

VG-1004
Keep your panels clean and static free. Recommended for cleaning and polishing plastic panels. Will not cause crazing, cracking or scratches that can result from the use of glass cleaners or all-purpose cleaners.



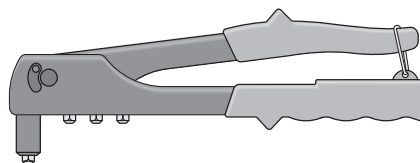
Rivet Nut Installation Tool

VG-1001
Used to install rivet nuts. Includes mandrels for installing 8-32, 10-24 and 10-32 rivet nuts.



Pop Rivet Installation Tool

VG-1003
Used to install pop rivets.



Mandrel for M6 Rivet Nut

VG-1002
Used with rivet nut installation tool to install M6 rivet nuts.

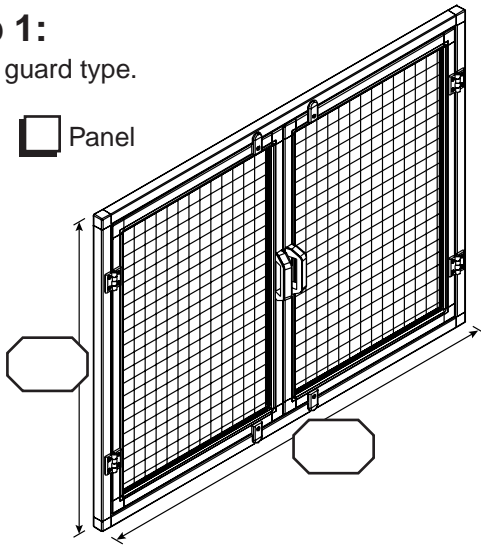
Quick Pick Guard Selector

for machine base mounted guards

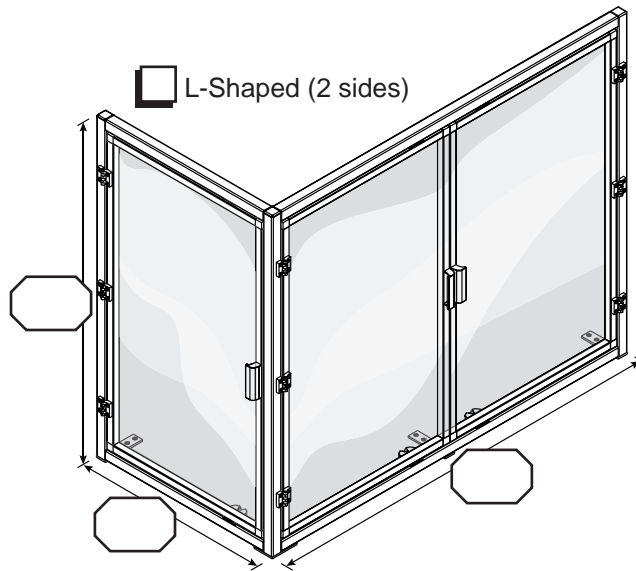
Step 1:

Select guard type.

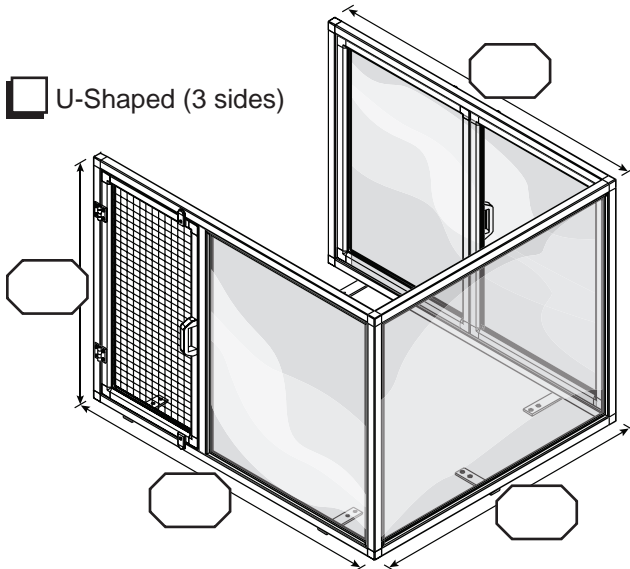
Panel



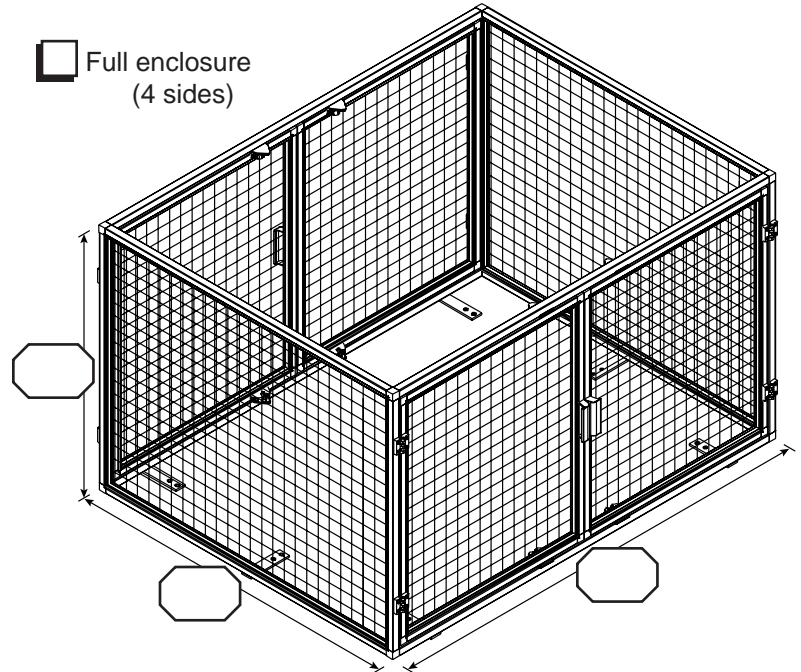
L-Shaped (2 sides)



U-Shaped (3 sides)



Full enclosure (4 sides)



Step 2:

Select frame material.

Aluminum

Stainless steel

Step 3:

Select panel material.

Wire mesh

Polycarbonate

Acrylic

Step 4:

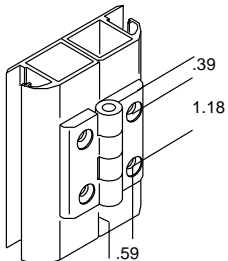
Fill in the required dimensions and door locations and fax this page us. Toll free fax: 1-866-447-6587. We will submit a quotation to complete your project.

Form submitted by: _____ Company: _____ Phone: _____

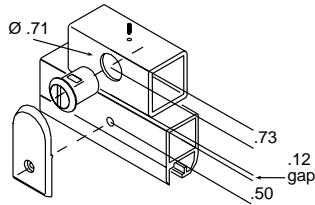
Hardware Mounting Details

See [page 29](#) for the hardware to be used with these components.

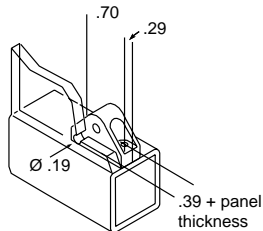
#8 x 3/8 sheet metal screw
or Ø1/8 x 3/8 pop rivet
(may require shim on insert tool)



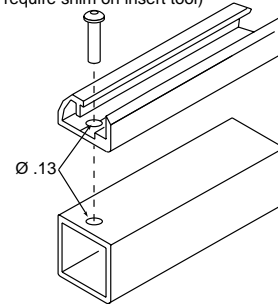
Flush Hinge
FT-HNG-01-AL-



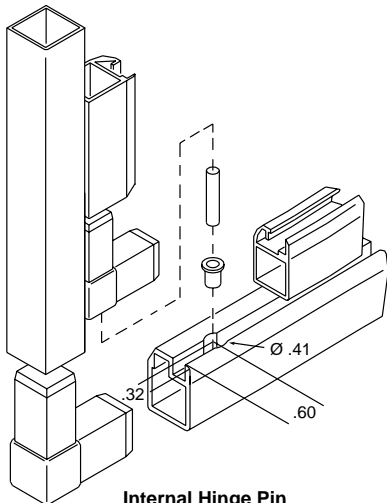
Door Magnet
FT-MAG-21-



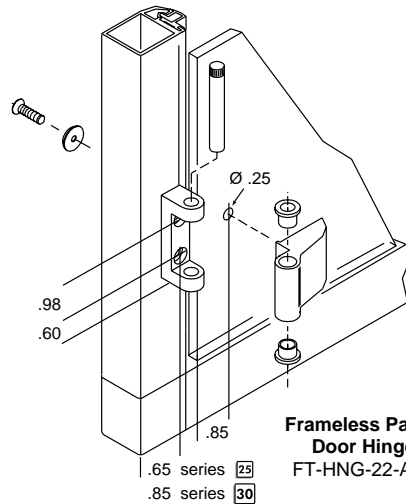
Mounting Block for Square Tubing
FT-PMB-01-



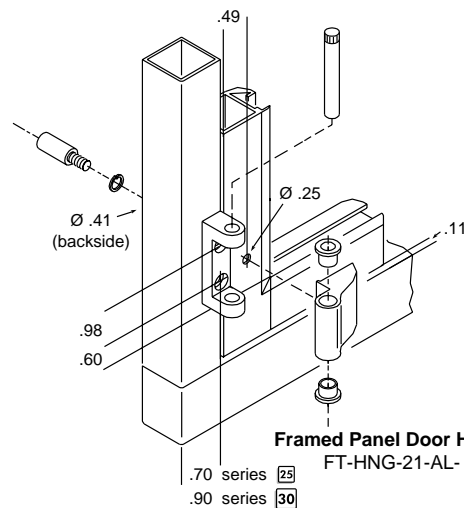
Tube Adapters
FT-25C-
FT-30C-



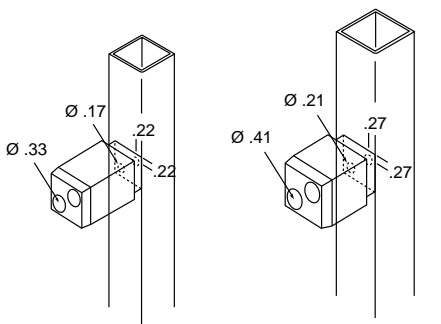
Internal Hinge Pin
FT-PIN2



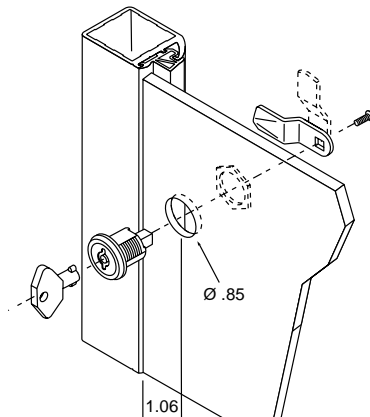
Frameless Panel Door Hinge
FT-HNG-22-AL-



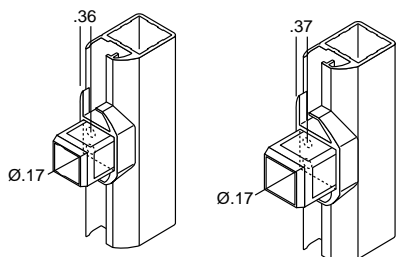
Framed Panel Door Hinge
FT-HNG-21-AL-



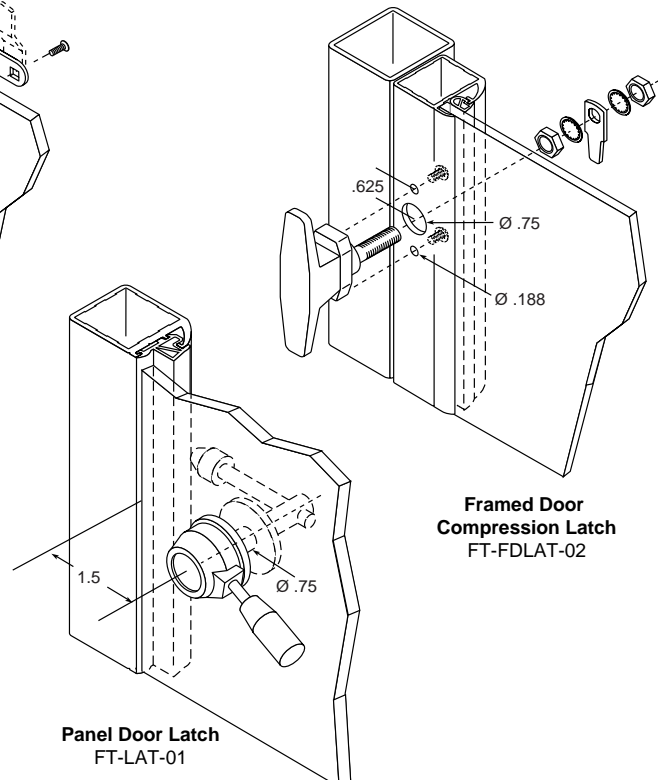
Internal Connectors
FT-25-PA-PLG FT-30-PA-PLG



Panel Door Lock/Latch
FT-LCK-01/FT-LAT-02



Miterless Tee Connectors
FT-25-PA-MT FT-30-PA-MT



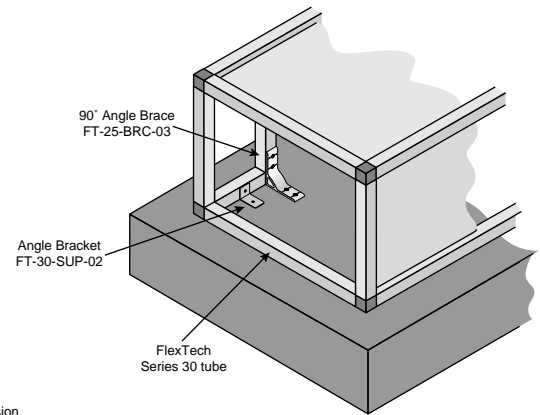
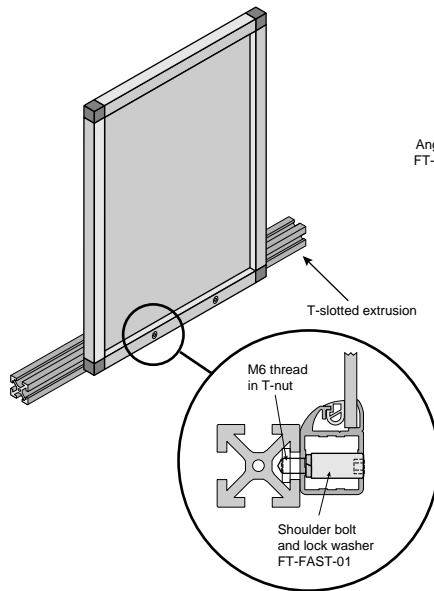
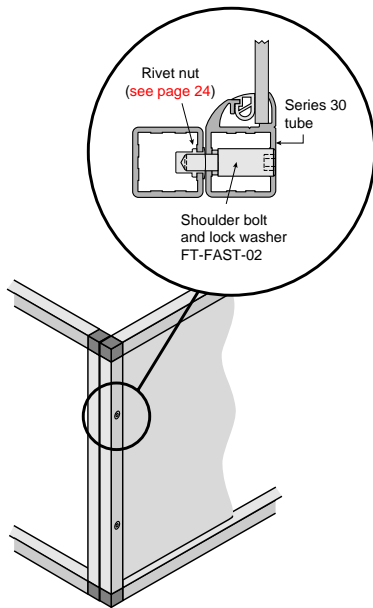
Framed Door Compression Latch
FT-FDLAT-02

Panel Door Latch
FT-LAT-01

Anchoring to Other Frames and Bases

FlexTech enclosures can be anchored to frames and bases by several means:

FlexTech



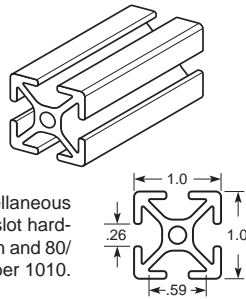
Attach To Any Frame!

T-Slot Profiles

Aluminum T-slot, Medium Duty

- VG-ATS-1010-8 (8 ft. length)
- VG-ATS-1010-10 (10 ft. length)
- VG-ATS-1010-20 (20 ft. length)

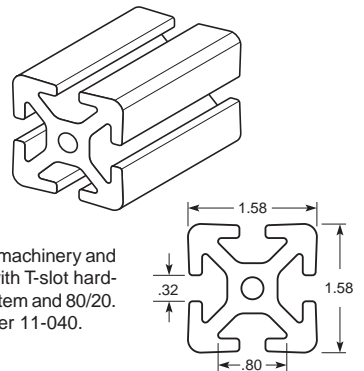
Used for building guards, barriers and miscellaneous structures. Can be used in conjunction with T-slot hardware from various manufacturers including Item and 80/20. Dimensional equivalent to 80/20 part number 1010.



Aluminum T-slot, Heavy Duty

- VG-ATS-1515-8 (8 ft. length)
- VG-ATS-1515-10 (10 ft. length)
- VG-ATS-1515-20 (20 ft. length)

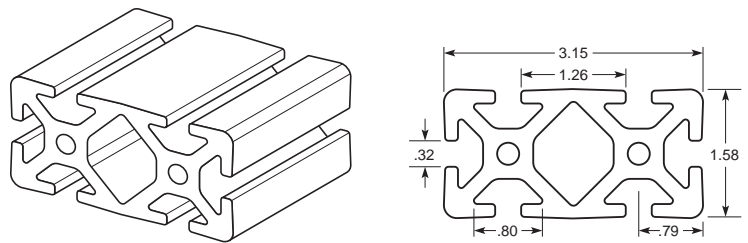
Used as structural members when building machinery and equipments. Can be used in conjunction with T-slot hardware from various manufacturers including Item and 80/20. Dimensional equivalent to Item part number 11-040.



Aluminum T-slot, Heavy Duty

- VG-ATS-3015-8 (8 ft. length)
- VG-ATS-3015-10 (10 ft. length)
- VG-ATS-3015-20 (20 ft. length)

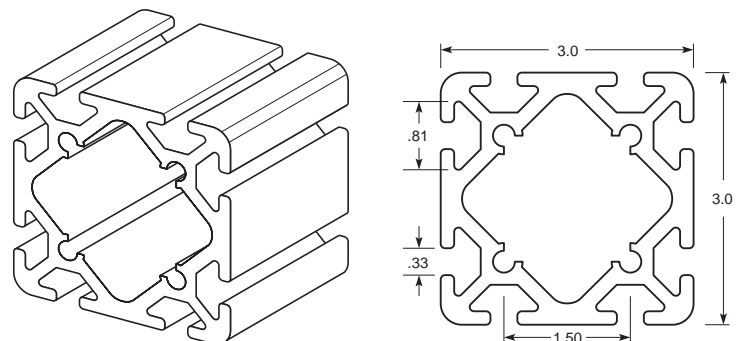
Used to build bases and structural supports for machinery and equipment. Can be used in conjunction with T-slot hardware from various manufacturers including Item and 80/20. Dimensional equivalent to Item part number 11-080.



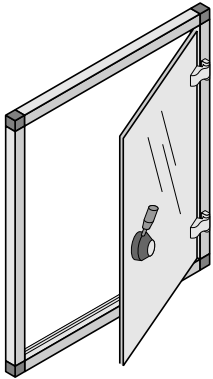
Aluminum T-slot, Heavy Duty

- VG-ATS-3030-8 (8 ft. length)
- VG-ATS-3030-10 (10 ft. length)
- VG-ATS-3030-20 (20 ft. length)

Used as structural members when building machinery and equipments. Can be used in conjunction with T-slot hardware from various manufacturers including Item and 80/20. Dimensional equivalent to 80/20 part number 3030.

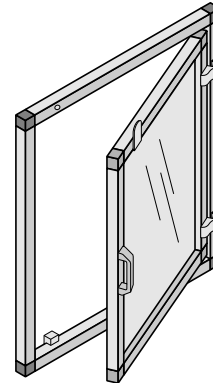


Typical Bill of Materials



Unframed Panel Door Parts:

Description	Part No.	Cut to Size	Quantity
Tube.....	FT-30T-PS-10-LX.....	✓	4
Seal.....	FT-PS-DS1-GR.....	✓	4
Corner joint.....	FT-30-PA-J2-GR.....		4
Hinge.....	FT-HNG-22-AL-LX.....		2
Latch.....	FT-LAT-01.....		1
Panel.....	1/4" material.....	✓	1

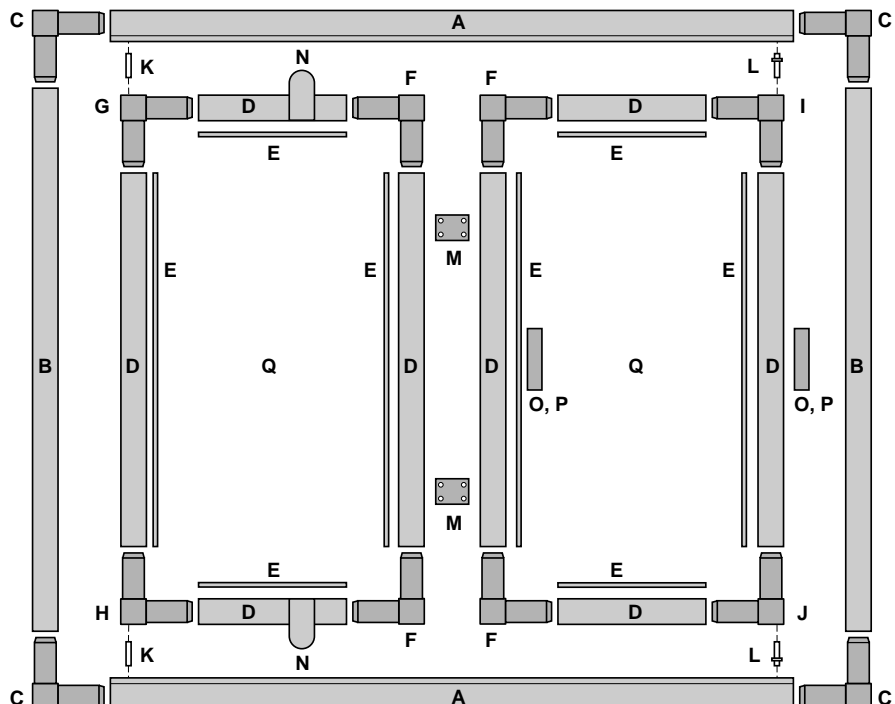
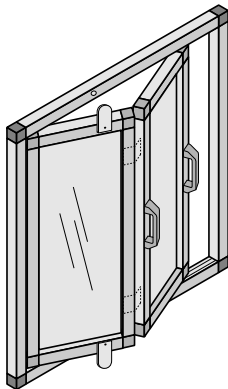


Framed Door Parts:

Description	Part No.	Cut to Size	Quantity
Outer frame tube.....	FT-30T-10-LX.....	✓	4
Outer corner joint.....	FT-30-PA-J2-GR.....		4
Door panel tube.....	FT-25T-PF-10-LX.....		4
Panel glazing bead.....	FT-PF-GZ1-LX.....	✓	4
Door panel joint.....	FT-25-PA-J2M-GR.....		4
Hinge.....	FT-HNG-21-AL-LX.....		2
Closure.....	FT-MAG-21-GR.....		1
Door stop.....	FT-HDS-01-GR.....		1
Handle.....	FT-HDL-1C-GR.....		1
Handle cover.....	FT-HDL-1-CAP-OR.....		1
Panel.....	1/4" material.....	✓	1

Single Bifold Door Parts:

Description	Key	Part No.	Cut to Size	Quantity
Top and bottom outer frame tube.....	A.....	FT-30T-PT-10-AN.....	✓	2
Left and right outer frame tube.....	B.....	FT-30T-10-AN.....	✓	2
Outer frame corner joint.....	C.....	FT-30-PA-J2-GR.....		4
Door panel tube (both panels).....	D.....	FT-25T-PF-10-AN.....	✓	8
Panel glazing bead.....	E.....	FT-PF-GZ1-AN.....	✓	8
Inside panel corner joint.....	F.....	FT-25-PA-J2M-GR.....		4
Top hinged corner joint.....	G.....	FT-25-PA-J2MRH-GR.....		1
Bottom hinged corner joint.....	H.....	FT-25-PA-J2MLH-GR.....		1
Top sliding corner joint.....	I.....	FT-25-PA-J2MLH-GR.....		1
Bottom sliding corner joint.....	J.....	FT-25-PA-J2MRH-GR.....		1
Internal hinge.....	K.....	FT-PIN2.....		2
Slide pin.....	L.....	FT-PIN1-DL.....		2
Flush hinge.....	M.....	FT-HNG-01-AL-AN.....		2
Closure.....	N.....	FT-MAG-31.....		2
Handle.....	O.....	FT-HDL-1-GR.....		2
Handle cover.....	P.....	FT-HDL-1-CAP-OR.....		2
Panel.....	Q.....	1/4" material.....	✓	2



Hardware Table

The following is a table of fasteners used with FlexTech components.
See [page 24](#) for Assembly Accessories.

Description	Page No.	Hardware Included in Kit	Additional Hardware Required
Internal Tube Connectors (FT-25-PA-PLG)	13	No Kit Available	#8 x 3/4" Sheet Metal Screw
Internal Tube Connectors (FT-30-PA-PLG)	13	No Kit Available	#10 x 3/4" Sheet Metal Screw
Miterless Tee Connectors (FT-25-PA-MT)	13	No Kit Available	#8 x 1" Sheet Metal Screw
Miterless Tee Connectors (FT-30-PA-MT)	13	No Kit Available	#8 x 1" Sheet Metal Screw
Internal Corner Adapters (FT-25-ADP-01-, FT-30-ADP-01-)	14	(2) #4 x 3/8" Flat Head Sheet Metal Screws	None Required
90 Degree Side Adapter (FT-25-ADP-R1-)	14	(2) #4 x 3/8" Flat Head Sheet Metal Screws	None Required
45 Degree Side Adapter (FT-25-ADP-R2-)	14	(2) #4 x 3/8" Flat Head Sheet Metal Screws	None Required
Panel Mounting Blocks (FT-PMB-01-)	16	(2) #8 x 5/8" Pan Head Sheet Metal Screws, (1) #8 x 3/4" Flat Head Sheet Metal Screw, and (1) Panel Mounting Washer	None Required
One Sided Pop-In Panel Clamp (FT-PMC1-)	16	(1) #8 x 1/2" Flat Head Sheet Metal Screw, and (1) Panel Mounting Washer	None Required
Tubing Adapters (FT-25C-,-30C-)	9	No Kit Available	1/8" dia. x 3/8" long Standard Aluminum or Steel Pop Rivets
Flush Hinge (FT-HNG-01-)	20	No Kit Available	10-32 x 5/8" Flat Head Machine Screws with Rivet Nut Inserts
Frame Hinge Kit (FT-HNG-21-)	20	Special M6 Shoulder Bolt (FT-FAST-01) with Lock Washer	(2) 10-32 x 3/4" Pan Head Machine Screws with Rivet Nut Inserts
Panel Door Hinge Kit (FT-HNG-22-)	20	(1) M6 Screw with Panel Washer	(2) 10-32 x 3/4" Pan Head Machine Screws with Rivet Nut Inserts
Internal Hinge Pin Kit (FT-PIN2)	21	Includes Pin, Bushing and Roll Pin	None Required
Gas Spring Mounting Brackets (FT-GSMB-1,-6)	22	No Kit Available	10-32 x 3/4" Pan Head Machine Screws with Rivet Nut Inserts
Door Magnet Kit (FT-MAG-21-,-31-)	18	#10 x 3/4" Pan Head Sheet Metal Screw and (1) 10-32 x 1/2" Set Screw	None Required
Door Magnet Kit (FT-MAG-22-)	18	(2) #10 x 3/4" Pan Head Sheet Metal Screws and (1) #4 x 3/8" Flat Head Sheet Metal Screw	None Required
Door Magnet Kit (FT-MAG-32-)	18	(2) #8 x 5/8" Pan Head Sheet Metal Screws and (1) #4 x 3/8" Flat Head Sheet Metal Screw	None Required
Framed Door Latch (FT-FDLAT-01)	19	(4) #10 x 3/4" Pan Head Sheet Metal Screws	None Required
Door Stop (FT-HDS-01-)	24	#10 x 3/4" Flat Head Sheet Metal Screw	None Required
Door Handles (FT-HDL-1-,-1C-)	Option 1 17 Option 2	No Kit Available No Kit Available	#10 x 3/4" Pan Head Sheet Metal Screw 10-32 x 3/4" Pan Head Machine Screw w/Washer and Rivet Nut Insert
90 Degree Angle Brace (FT-25-BRC-01)	23	(4) #10 x 3/4" Pan Head Sheet Metal Screws	None Required
45 Degree Angle Brace (FT-25-BRC-02)	23	(4) #10 x 3/4" Pan Head Sheet Metal Screws	None Required
Joining Plates (FT-25-PLT, FT-30-PLT)	23	No Kit Available	10 x 3/4" Pan Head Sheet Metal Screw
Angle Brackets (FT-30-SUP-01,-02)	23	No Kit Available	10 x 3/4" Pan Head Sheet Metal Screw

SpeedFrame™

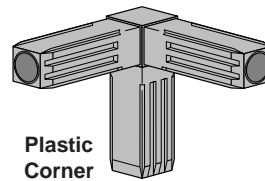
Machine Guarding and Safety Enclosure System

The SpeedFrame System is a simple, economical tube and joint system used to fabricate safety enclosures for machinery. Choose from aluminum or stainless steel tubes and cast aluminum or plastic joints for applications ranging from general industrial framing to sanitary pharmaceutical enclosures.

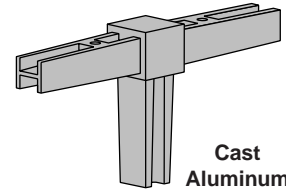
Easy, Economical Assembly

Assemble frames using a soft faced mallet to hammer in corner joints. Attach panels and hardware using simple hand and power tools. No welding, grinding or time consuming cleanup.

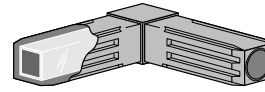
Build
Stainless Steel
Guarding with
No Welding!



Plastic
Corner
Joints



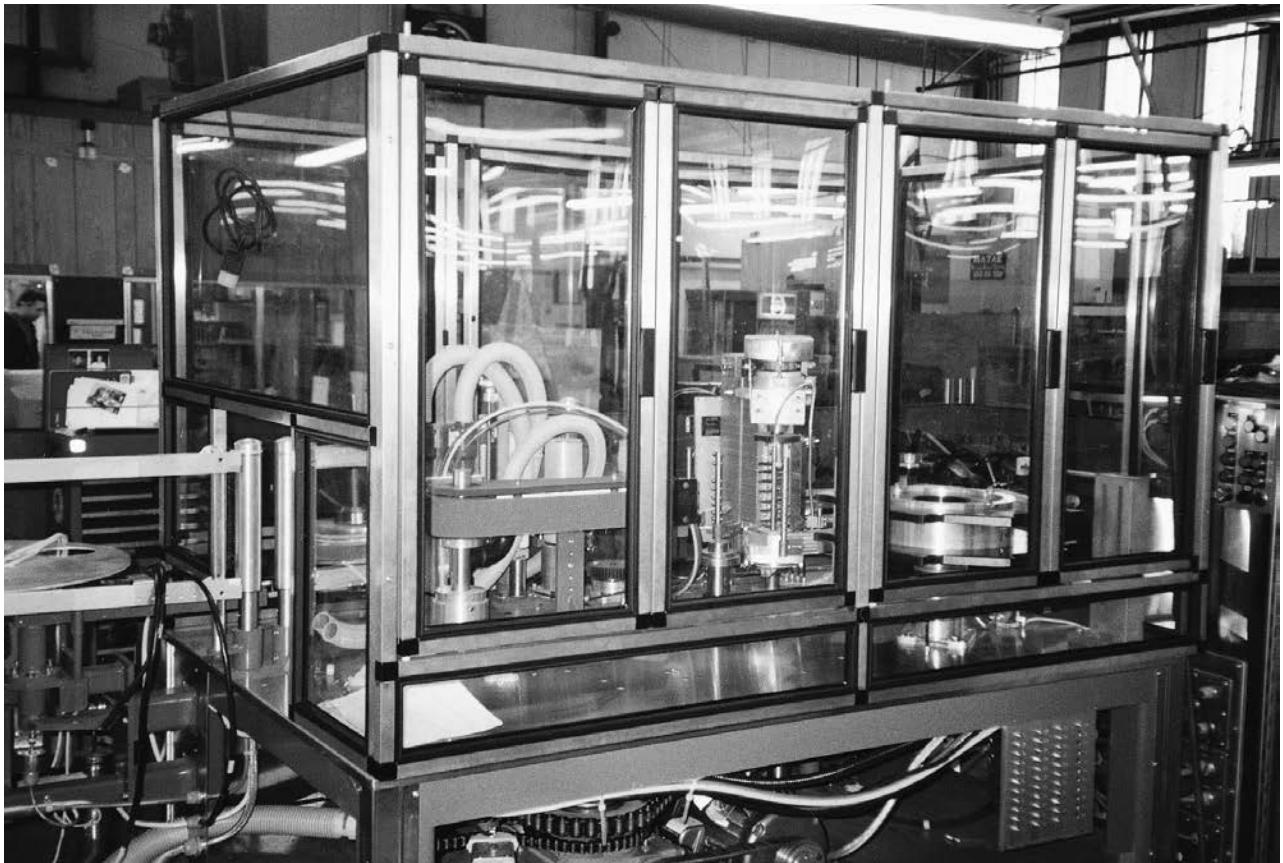
Cast
Aluminum
Corner
Joints



Steel Reinforced
Plastic Corner Joints

Features

- ◆ Aluminum or stainless steel .050" wall tubes.
- ◆ Black die cast aluminum or 2 versions of plastic joints.
- ◆ All the hinges, handles, latches and other accessories you need.



This packaging machine enclosure uses two bifold doors to access nearly all of the enclosed machinery.



Unframed panel doors on this SpeedFrame enclosure provide economical machinery access.

Use SpeedFrame if you:

- ◆ Need OSHA-compliant safety barriers on your equipment.
- ◆ Have corrosive washdown environments requiring a stainless steel structure.

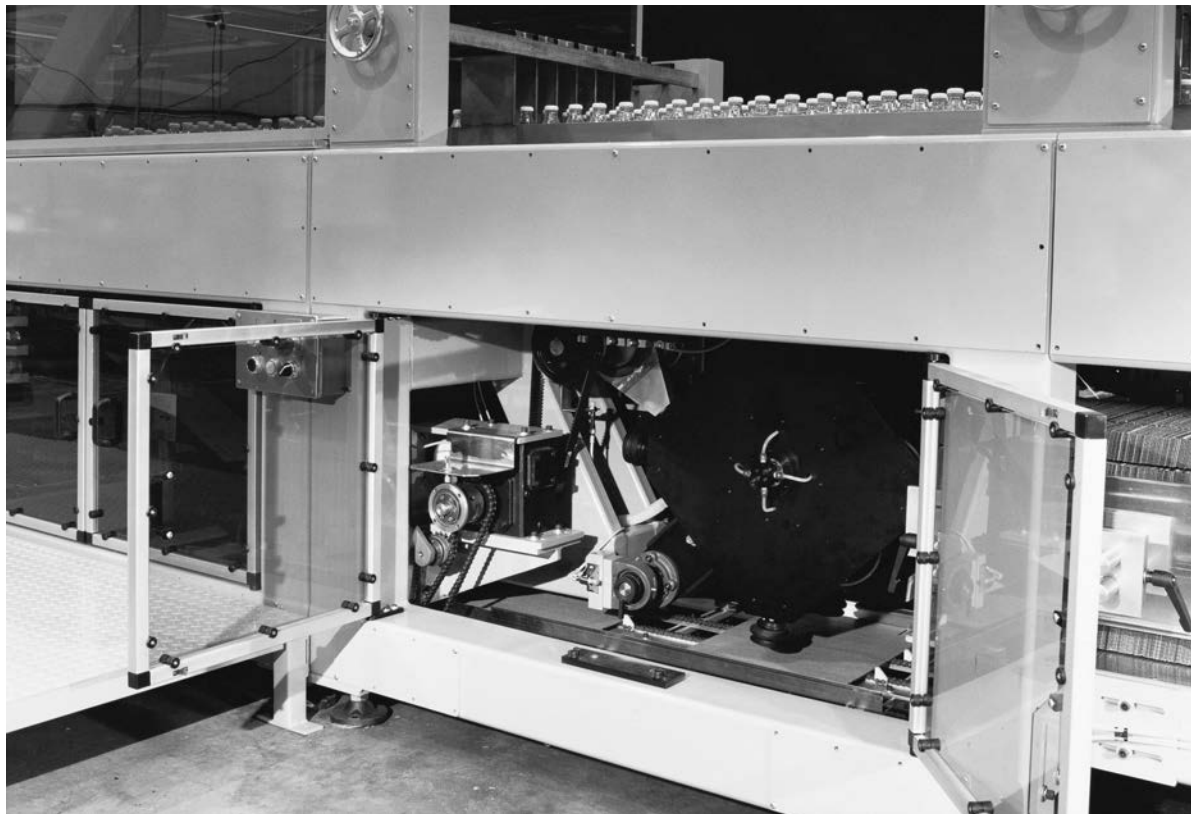


Engineering Services

Send us your drawing or sketch and our Engineering Services Group will assist you in your design. We will provide you with a bill of materials, a cut to length, ready to assemble kit or a complete enclosure.

Satisfied customers include:

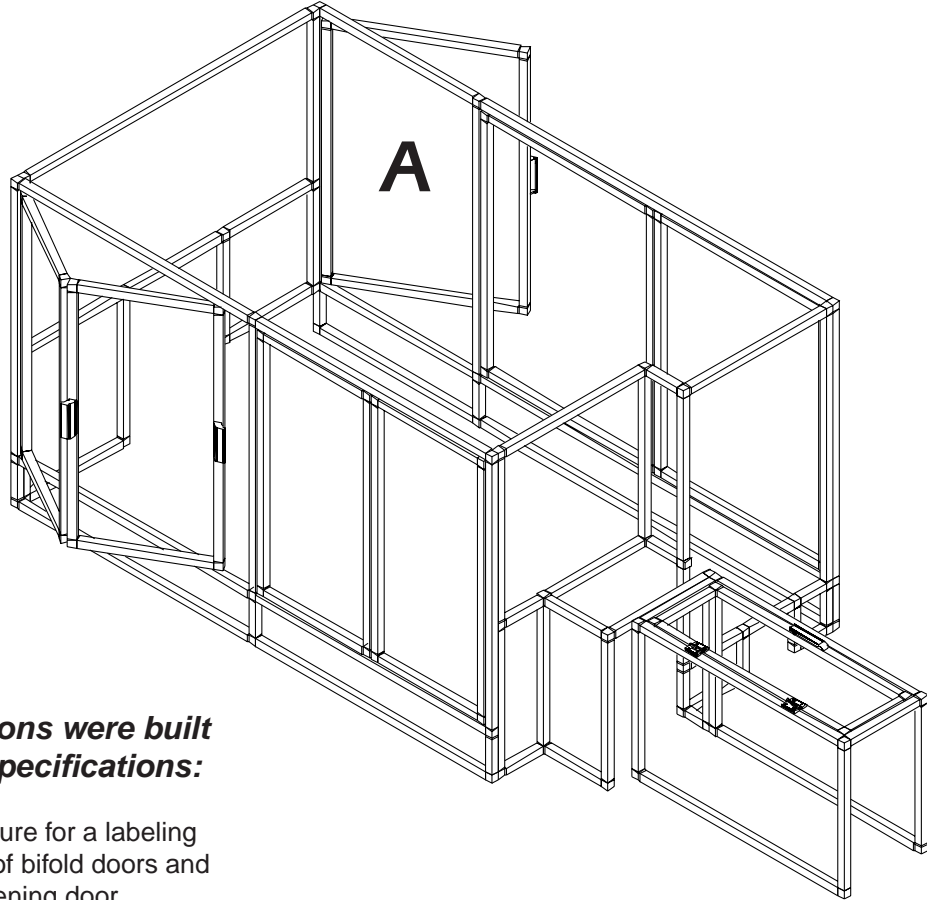
- ◆ Pharmaceutical companies requiring stainless steel safety enclosures.
- ◆ Meat packagers using caustic washdown solutions.
- ◆ Industrial companies requiring fast and economical assembly of machine enclosures.



These framed doors are attached directly to this packaging machine frame.

Typical Applications

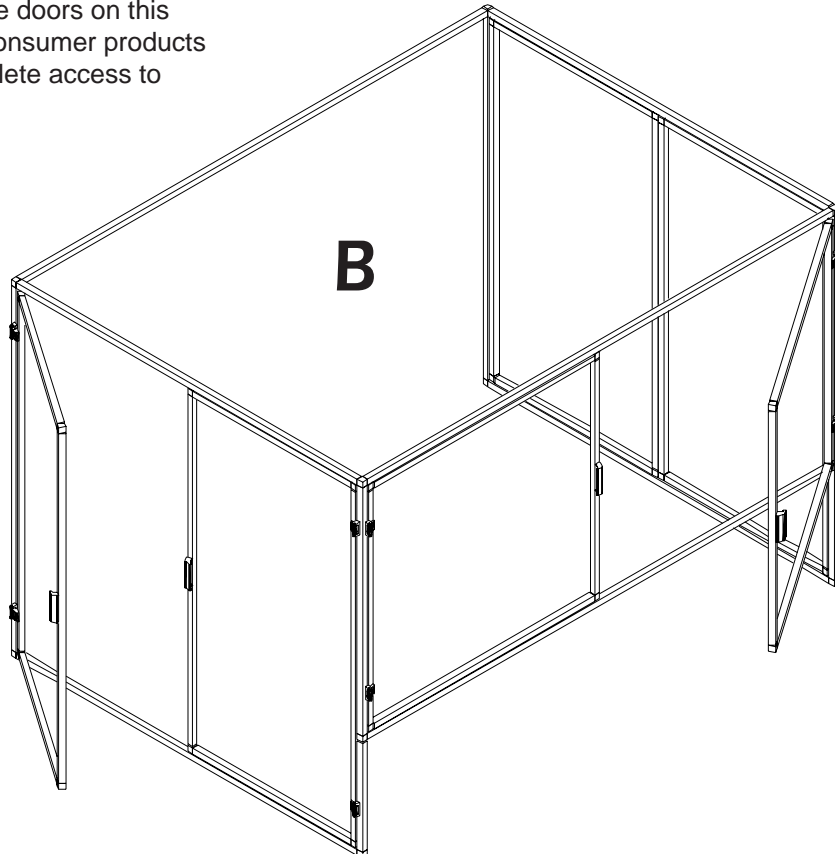
Ideal for Washdown Areas!



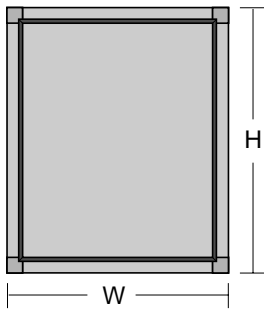
These typical applications were built by us from customer specifications:

A This stainless steel enclosure for a labeling machine includes three sets of bifold doors and an infeed cover with a top opening door.

B The three sets of large double doors on this stainless steel enclosure for a consumer products manufacturer allow nearly complete access to their machine.



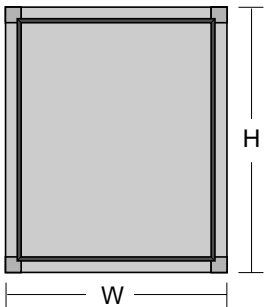
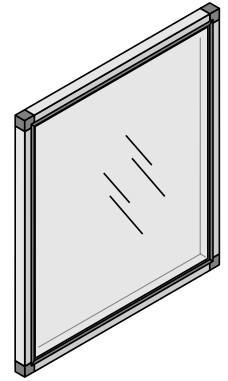
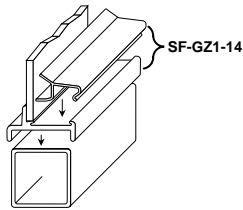
Fixed Panel Options



Framed Panel with Glazing Sections

The two piece glazing section attaches to the inside of the frame and seals the panel in place, keeping out moisture and dust.

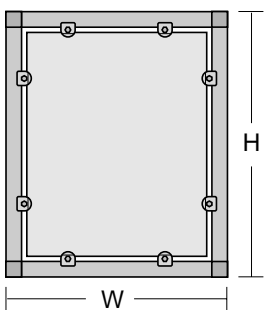
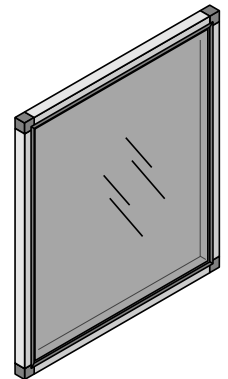
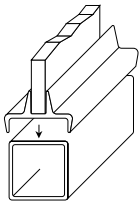
- Tube SF-1000-SS (stainless steel) or SF-1000-AL (aluminum)
- Corner joint SF-C2PR (plastic) or SF-C2 (die cast aluminum with insert)
- Tube length H or W minus 2" for SF-C2PR
..... H or W minus 2-1/8" for SF-C2
- Glazing section SF-GZ1-14
- Glazing length H or W minus 1-11/16" (miter cut)
- Plastic panel dim. H or W minus 2-3/8"



Framed Panel with Cladding Sections

The cladding section attaches to the inside of the frame and holds the panel into place, keeping out moisture and dust.

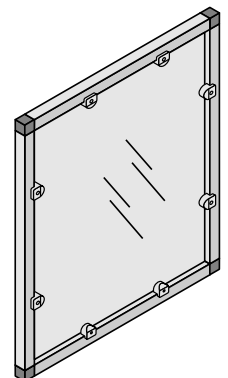
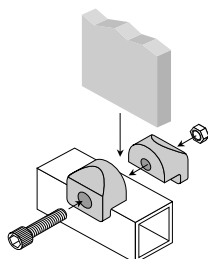
- Tube SF-1000-SS (stainless steel) or SF-1000-AL (aluminum)
- Corner joint SF-C2PR (plastic) or SF-C2 (die cast aluminum with insert)
- Tube length H or W minus 2" for SF-C2PR
..... H or W minus 2-1/8" for SF-C2
- Cladding section SF-CD1-14 or SF-CD1-34
- Cladding length H or W minus 1-5/16" (miter cut)
- Plastic panel dim. H or W minus 2-3/16"

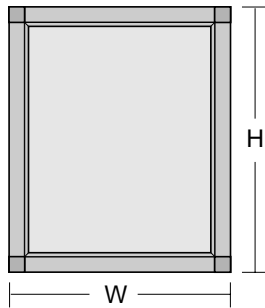


Framed Panel with Panel Clamps

The panel clamps attach to both the tube and the panel, allowing the panel to be removed or replaced. Used where a sealed panel is not required.

- Tube SF-1000-SS (stainless steel) or SF-1000-AL (aluminum)
- Corner joint SF-C2PR (plastic) or SF-C2 (cast aluminum with insert)
- Tube length H or W minus 2" for SF-C2PR
..... H or W minus 2-1/8" for SF-C2
- Plastic panel dim. H or W minus 2-9/16" for SF-PC2-
..... H or W minus 2 13/16" for SF-PCH-
- Panel Clamps SF-PC2-14 or SF-PCH-14 for 1/4" panels
..... SF-PC2-316 for 3/16" panels
..... SF-PCH-38 for 3/8" panels
..... SF-PCH-12 for 1/2" panels

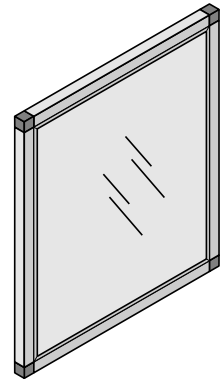
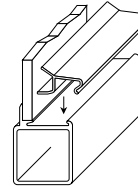




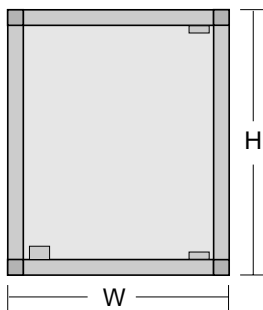
Framed Panel with Glazing Bead

The glazing bead attaches to the aluminum glazing tube and seals the panel into place, keeping out moisture and dust.

- Tube SF-1000-AZ1
- Corner joint SF-C2PR (plastic) or SF-C2 (die cast aluminum with insert)
- Tube length H or W minus 2" for SF-C2PR
..... H or W minus 2-1/8" for SF-C2
- Glazing bead SF-GZB-
- Glazing bead length H or W minus 2"
- Plastic panel dim..... H or W minus 2-3/16"



Access Door Options

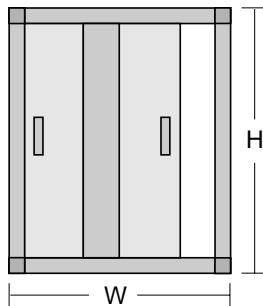
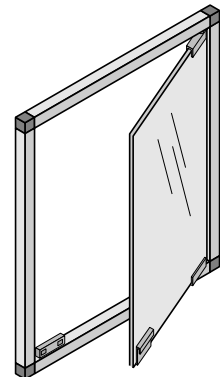


Unframed Panel Door

Unframed panel doors are generally the simplest and least expensive style of door. The panel itself is the complete door. These doors are ideally suited for smaller openings or lighter duty applications.

Frame around door

- Tube SF-1000-SS (stainless steel) or SF-1000-AL (aluminum)
- Corner joint SF-C2PR (plastic) or SF-C2 (cast aluminum with insert)
- Tube length H or W minus 2" for SF-C2PR
..... H or W minus 2-1/8" for SF-C2
- Plastic panel dim..... H or W minus 2-3/8"

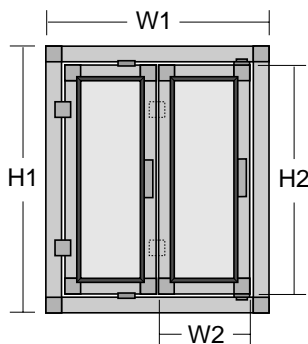
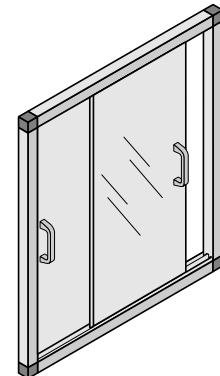


Sliding Panel Door

Economical alternative when little or no door swing space is available. Doors are removable with sliding panel sections in place.

Frame around door

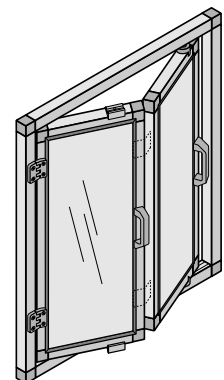
- Tube SF-1000-SS (stainless steel) or SF-1000-AL (aluminum)
- Corner joint SF-C2PR (plastic) or SF-C2 (cast aluminum with insert)
- Tube length H or W minus 2" for SF-C2PR
..... H or W minus 2-1/8" for SF-C2
- Sliding panel cladding SF-SP-14-8-TOP (top)
..... SF-SP-14-8 (bottom)
- Sliding panel cladding length..... H minus 2" (top)
..... H minus 2" (bottom)
- Plastic panel dim..... H minus 2-9/16"
..... (W minus 2" / 2) + 1/2"



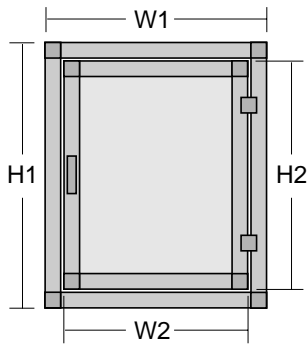
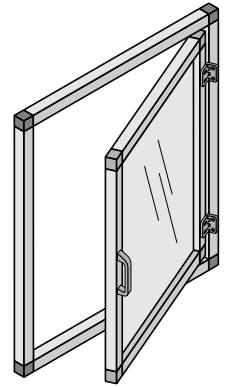
Single Bifold Door using Glazing Sections

Most commonly used when limited door swing space is available and maximum access is needed.

- Tube SF-1000-SS (stainless steel) or SF-1000-AL (aluminum)
- Corner joint SF-C2PR (plastic) or SF-C2 (cast aluminum with insert)
- Tube length H₁, H₂, W₁ or W₂ minus 2" for SF-C2PR
..... H₁, H₂, W₁ or W₂ minus 2-1/8" for SF-C2
- Glazing section SF-GZ1-14
- Glazing length H₂ or W₂ minus 1-11/16" (miter cut)
- Plastic panel dim..... H₂ or W₂ minus 2-3/8"
- Slider SF-BDS-BK
- Doorstop SF-DOORSTOP-BK



$H_2 = H_1 \text{ minus } 2-1/2"$
 $W_2 = (W_1 \text{ minus } 2-1/2") \div 2$



Framed Door

Most common door, appropriate for most applications. Any of the four types of framed panels can be used for the door (see below). The hatch door is most often used on very wide doors. Configurations below result in a 1/4" gap between frame and door when using standard hinges and latches. When using pintel hinges, allow for a 1/8" gap on hinge side.

Frame around door

- Tube SF-1000-SS (stainless steel) or SF-1000-AL (aluminum)
- Corner joint SF-C2PR (plastic) or SF-C2 (cast aluminum with insert)
- Tube length H_1 or W_1 minus 2" for SF-C2PR
- H_1 or W_1 minus 2-1/8" for SF-C2

Door Panels...

$$H_2 = H_1 \text{ minus } 2\text{-}1/2", W_2 = W_1 \text{ minus } 2\text{-}1/2"$$

...with Glazing Sections

- Tube SF-1000-SS (stainless steel) or SF-1000-AL (aluminum)
- Corner joint SF-C2PR (plastic) or SF-C2 (cast aluminum with insert)
- Tube length H_2 or W_2 minus 2" for SF-C2PR
- H_2 or W_2 minus 2-1/8" for SF-C2
- Glazing section SF-GZ1-14
- Glazing length H_2 or W_2 minus 1-11/16" (miter cut)
- Plastic panel dim. H_2 or W_2 minus 2-3/8"

...with Cladding Sections

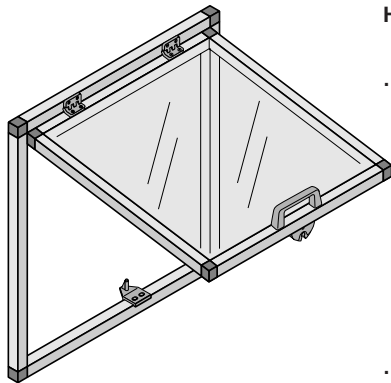
- Tube SF-1000-SS (stainless steel) or SF-1000-AL (aluminum)
- Corner joint SF-C2PR (plastic) or SF-C2 (cast aluminum with insert)
- Tube length H_2 or W_2 minus 2" for SF-C2PR
- H_2 or W_2 minus 2-1/8" for SF-C2
- Cladding section SF-CD1-14 or SF-CD1-34
- Cladding length H_2 or W_2 minus 1-5/16" (miter cut)
- Plastic panel dim. H_2 or W_2 minus 2-3/16"

...with Panel Clamps

- Tube SF-1000-SS (stainless steel) or SF-1000-AL (aluminum)
- Corner joint SF-C2PR (plastic) or SF-C2 (cast aluminum with insert)
- Tube length H_2 or W_2 minus 2" for SF-C2PR
- H_2 or W_2 minus 2-1/8" for SF-C2
- Plastic panel dim. H_2 or W_2 minus 2-9/16" for SF-PC2-
- H_2 or W_2 minus 2 13/16" for SF-PCH-
- Panel Clamps SF-PC2-14 or SF-PCH-14 for 1/4" panels
- SF-PC2-316 for 3/16" panels
- SF-PCH-38 for 3/8" panels
- SF-PCH-12 for 1/2" panels

...with Glazing Bead

- Tube SF-1000-AZ1
- Corner joint SF-C2PR (plastic) or SF-C2 (cast aluminum with insert)
- Tube length H_2 or W_2 minus 2" for SF-C2PR
- H_2 or W_2 minus 2-1/8" for SF-C2
- Glazing bead SF-GZB-
- Glazing length H_2 or W_2 minus 2"
- Plastic panel dim. H_2 or W_2 minus 2-3/16"



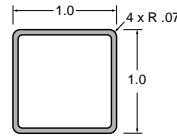
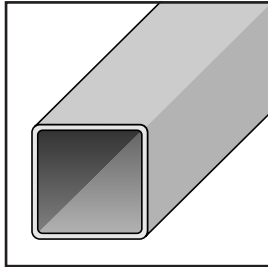
Tubing

- 304 brushed stainless steel (-SS) or clear anodized 6063 aluminum (-AL) tubes
- 1" Sq. x .050" wall
- Aluminum tubes also available with glazing profiles
- Available in 8' and 10' lengths. Basic square tubes are also available in 20' lengths

Square Tubing

- SF-1000-SS-08
- SF-1000-SS-10
- SF-1000-SS-20
- SF-1000-AL-08
- SF-1000-AL-10
- SF-1000-AL-20

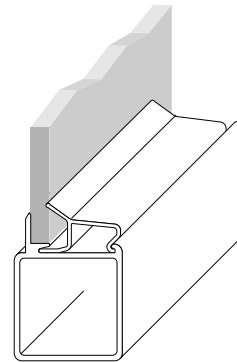
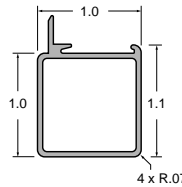
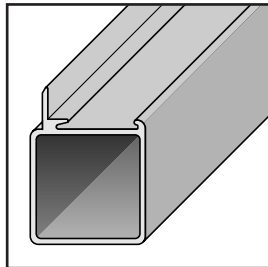
Used for basic frame structure.



Aluminum Glazing Tube

- SF-1000-AZ1-08
- SF-1000-AZ1-10

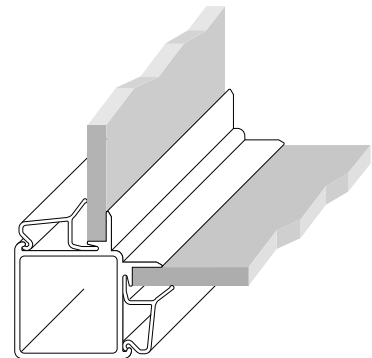
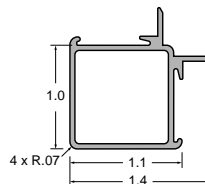
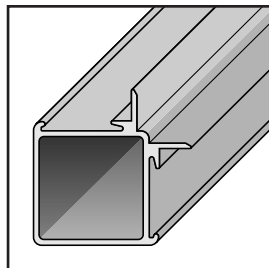
Retains and seals 3/16" to 1/4" thick panels. Requires SF-GZB- glazing bead.



Aluminum Glazing Tube

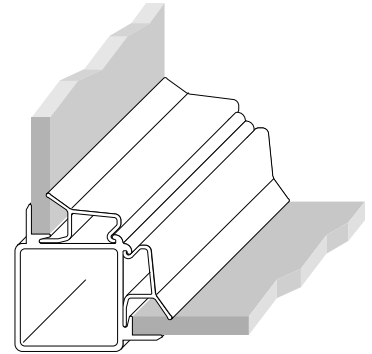
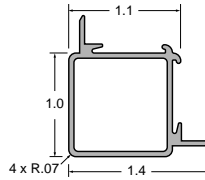
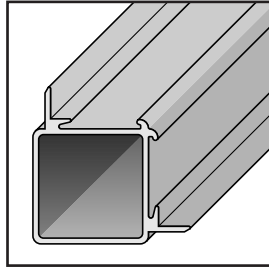
- SF-1000-AZ2-08
- SF-1000-AZ2-10

Retains and seals 3/16" to 1/4" thick panels on inside 90° corner. Requires SF-GZB- glazing bead.



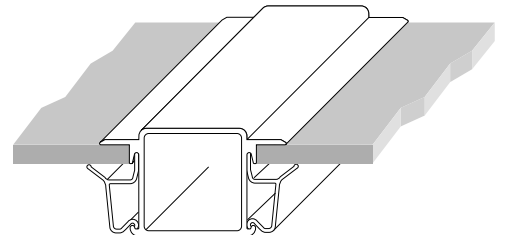
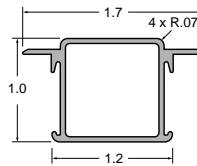
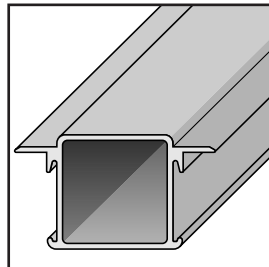
Aluminum Glazing Tube
SF-1000-AZ2F-08
SF-1000-AZ2F-10

Retains and seals 3/16" to 1/4" thick panels on outside 90° corner. Requires SF-GZB- glazing bead.



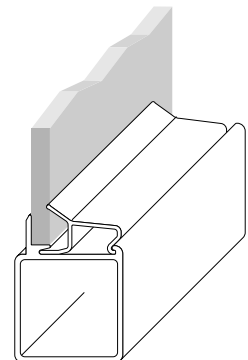
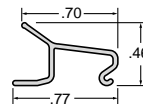
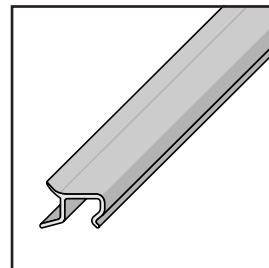
Aluminum Glazing Tube
SF-1000-AZC-08
SF-1000-AZC-10

Retains and seals adjacent 3/16" to 1/4" thick panels. Requires SF-GZB- glazing bead.



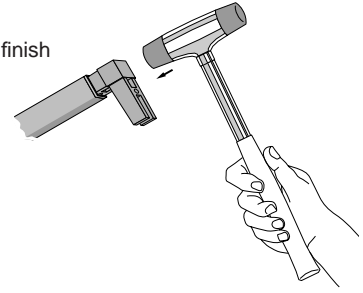
Glazing Bead
SF-GZB-B-8 (black)

Extruded black PVC. Secures 3/16" to 1/4" thick panels in tubes. Sealing lip is soft PVC which compresses against panel. Available in 8 foot nominal lengths.



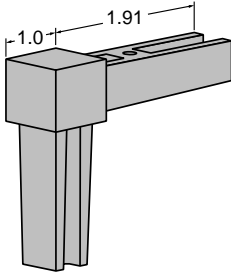
Corner Joints: Aluminum

- Die-cast aluminum alloy joints have a black powder coated finish
- Configurations for use on SpeedFrame tubing
- All aluminum joints supplied with proper number of ABS inserts (SF-IB)
- Integrated 0.16" hole for drive screw (pg. 47) or hinge pin



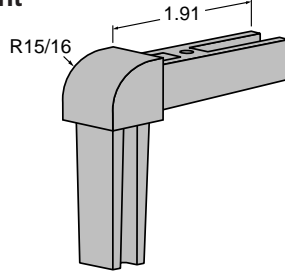
2-Way Corner Joint SF-C2

Connects 2 tubes at a corner.



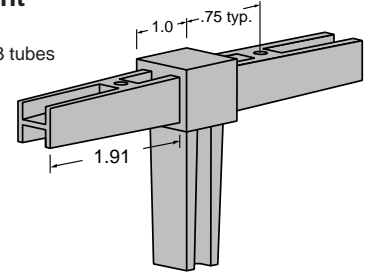
2-Way Rounded Corner Joint SF-CR2

Connects 2 tubes at a corner.



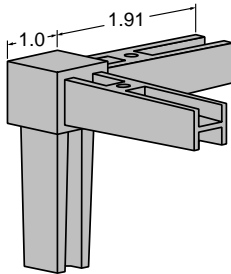
3-Way Tee Joint SF-T3

Connects 3 tubes at a tee.



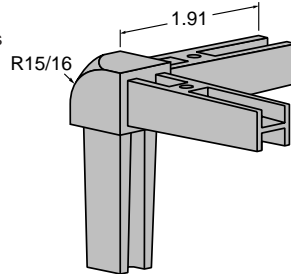
3-Way Corner Joint SF-C3

Connects 3 tubes at a corner.



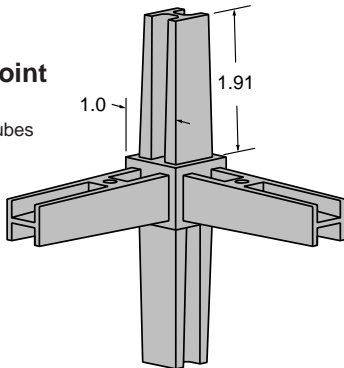
3-Way Rounded Corner Joint SF-CR3

Connects 3 tubes at a corner.



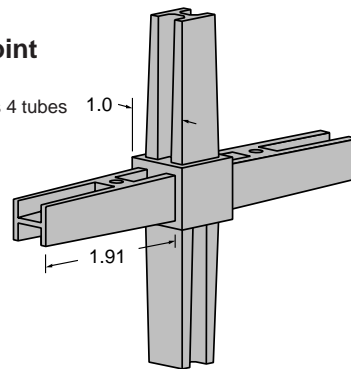
4-Way Corner Joint SF-CT4

Connects 4 tubes at a corner.



4-Way Tee Joint SF-T4

Connects 4 tubes at a tee.



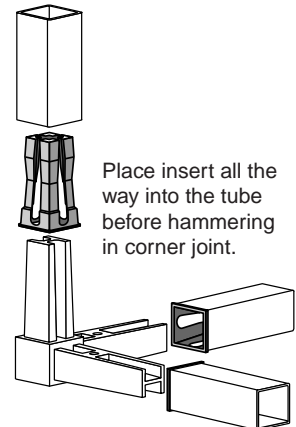
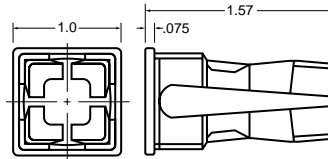
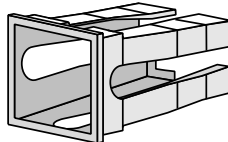
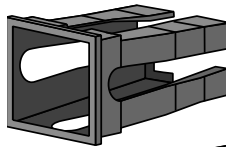
Tubing Inserts

SF-IB (black)

Rigid black ABS inserts are used for permanent structures and are supplied with each joint.

SF-IW (white)

White polyethylene inserts are used for structures requiring frequent disassembly and can be ordered separately.



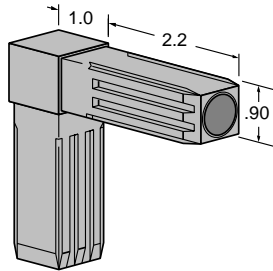
Place insert all the way into the tube before hammering in corner joint.

Plastic Corner Joints: Standard and Steel Reinforced

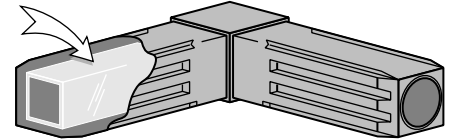
- Glass filled polyamide construction
- Three configurations for use on SpeedFrame tubing
- Joints connect into tubing without inserts
- For heavy duty applications, steel reinforced joints are 50% stronger

2-Way Plastic Corner Joint

SF-C2P-BK (standard)
SF-C2PR-BK (steel reinforced)
Connects 2 tubes at a corner.

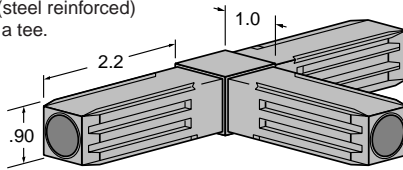


Molded in steel
reinforcement tube



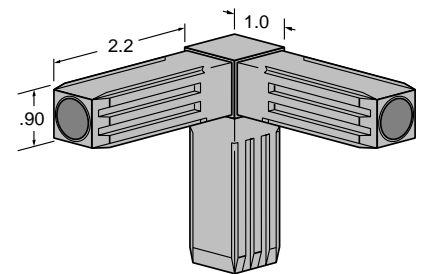
3-Way Plastic Tee Joint

SF-T3P-BK (standard)
SF-T3PR-BK (steel reinforced)
Connects 3 tubes at a tee.



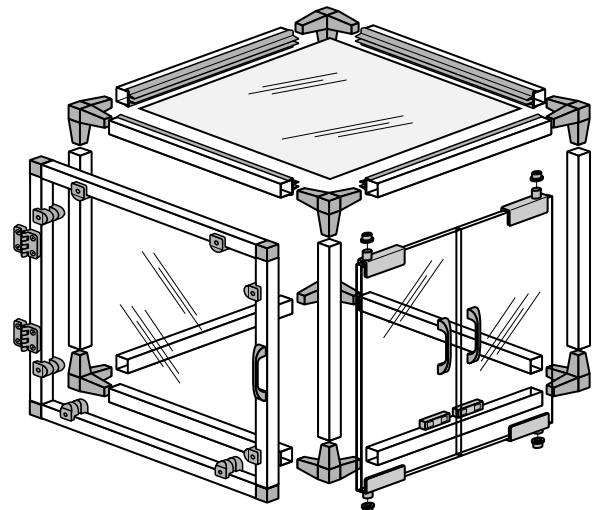
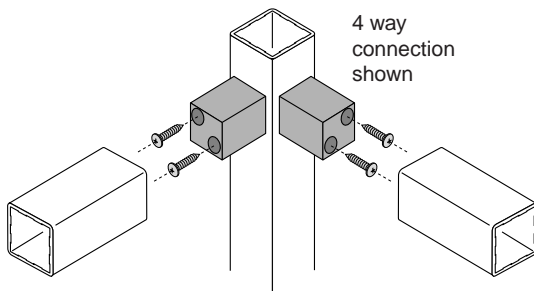
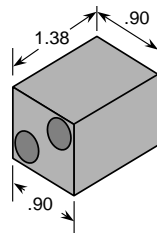
3-Way Plastic Corner Joint

SF-C3P-BK (standard)
SF-C3PR-BK (steel reinforced)
Connects 3 tubes at a corner.



Internal Connector SF-C1P

Connects two tubes at 90°
without using a 90° Corner
Joint. Used to make 4, 5, and
6 way connections. Available
in gray polyamide.

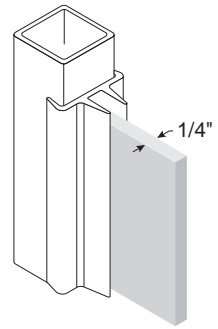
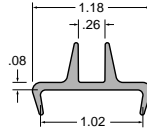
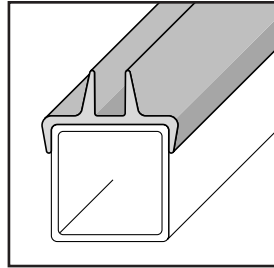


Cladding Sections

- Durable, black PVC
- Snaps tightly onto 1" tube
- Fins conceal edges of panels
- Attached before frame assembly

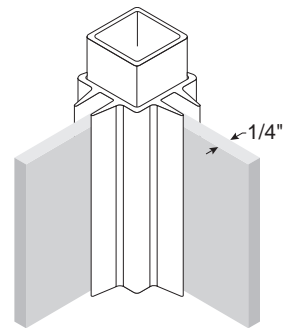
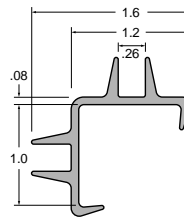
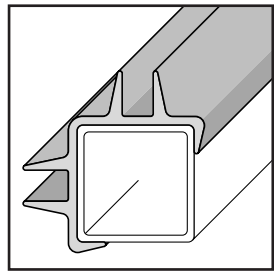
Single Cladding Section SF-CD1-14-8

Holds single panel of plastic, wood or laminate. Cladding fin accepts 1/4" panel. Eight foot nominal lengths.



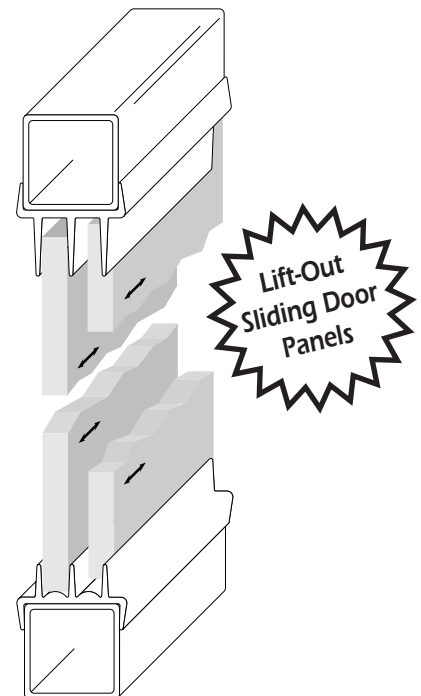
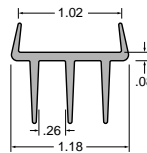
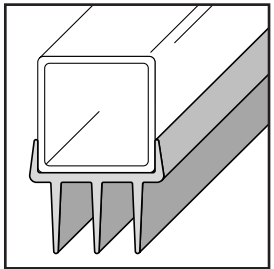
2-Way Cladding Section SF-CD2-14-8

Holds two panels of plastic, wood or laminate in a corner. Cladding fin accepts 1/4" panels. Eight foot nominal lengths.



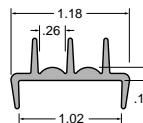
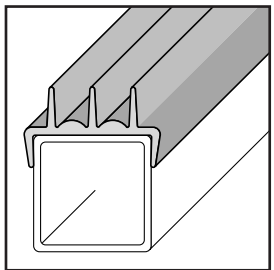
Top Sliding Panel Cladding Section SF-SP-14-8-TOP

Used to make sliding doors with panels up to 1/4" thick. Deeper channel allows for panel removal.



Bottom Sliding Panel Cladding Section SF-SP-14-8

Used to make sliding doors with panels up to 1/4" thick.



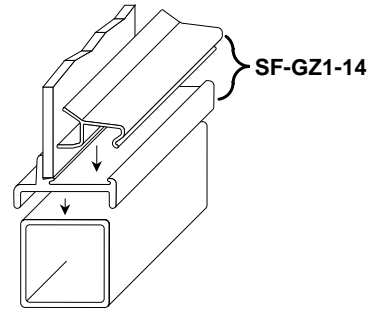
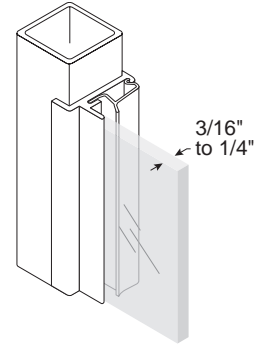
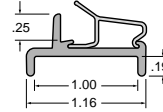
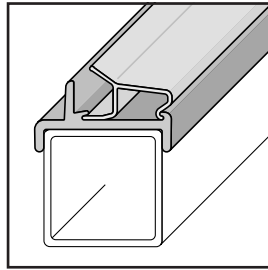
Glazing Sections

- Durable, black PVC
- Snaps tightly onto 1" tube
- Designed for panel removal
- May be attached after frame assembly

Single Glazing Section

SF-GZ1-14-8

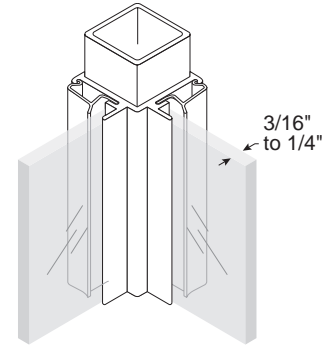
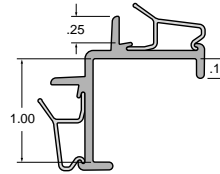
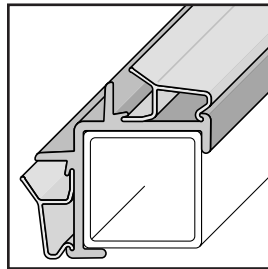
Holds 3/16" to 1/4" thick glass or plastic panels. Each section consists of two parts: the cladding base strip and snap-in glazing bead. Sealing lip is soft PVC which compresses against panel. Eight foot nominal lengths.



2-Way Glazing Section

SF-GZ2-14-8

Holds 3/16" to 1/4" thick glass or plastic panels in a corner. Each section consists of two parts: the cladding base strip and snap-in glazing bead. Sealing lip is soft PVC which compresses against panel. Eight foot nominal lengths.

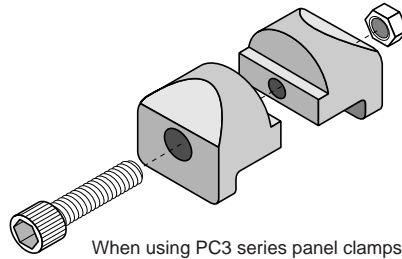


Panel Clamps

SF-PC3-116 (black)

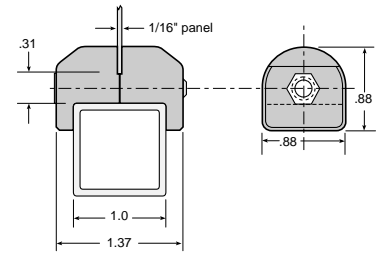
SF-PC3-116-GR (gray)

Black or gray acetal clamps with stainless steel screw and nickel plated brass nut. Designed to hold 14 ga. to 16 ga. panels in 1" square SpeedFrame tubing or FlexTech Series 25 tubing. Recommended maximum panel sizes: vertical panels: 24" x 36" horizontal panels: 24" x 24"



NEW

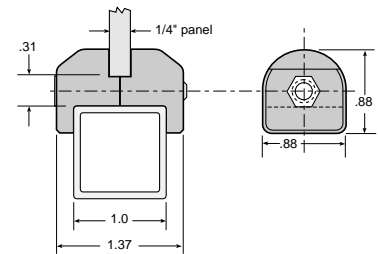
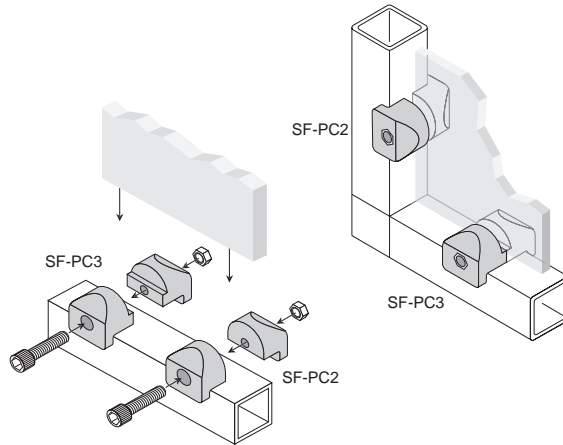
When using PC3 series panel clamps, panel height or width is tube to tube inside dimension minus 11/16".



SF-PC3-14 (black)

SF-PC3-14-GR (gray)

Black or gray acetal clamps with stainless steel screw and nickel plated brass nut. Designed to hold 1/4" panels in 1" square SpeedFrame tubing or FlexTech Series 25 tubing. Recommended maximum panel sizes: vertical panels: 24" x 36" horizontal panels: 24" x 24"

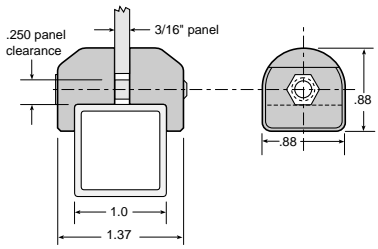
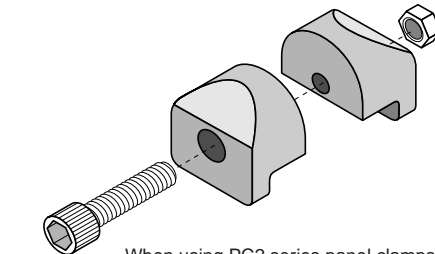


Panel Clamp

SF-PC2-316 (black)

SF-PC2-316-GR (gray)

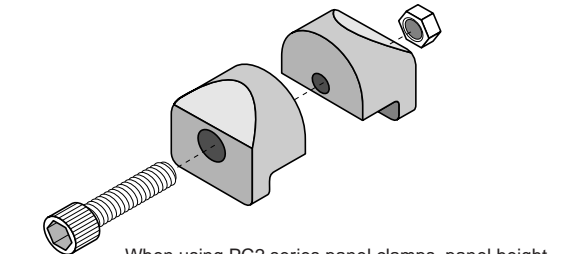
Black or gray acetal clamps with stainless steel screw and nickel plated brass nut. Designed to hold 3/16" panels in 1" square SpeedFrame tubing or FlexTech Series 25 tubing. Recommended maximum panel sizes: vertical panels: 24" x 36" horizontal panels: 24" x 24"



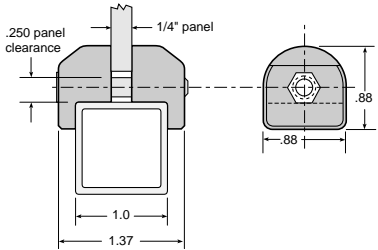
SF-PC2-14 (black)

SF-PC2-14-GR (gray)

Black or gray acetal clamps with stainless steel screw and nickel plated brass nut. Designed to hold 1/4" panels in 1" square SpeedFrame tubing or FlexTech Series 25 tubing. Recommended maximum panel sizes: vertical panels: 24" x 36" horizontal panels: 24" x 24"



When using PC2 series panel clamps, panel height or width is tube to tube inside dimension minus 9/16".

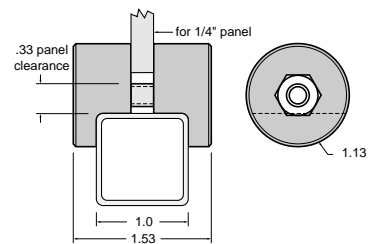
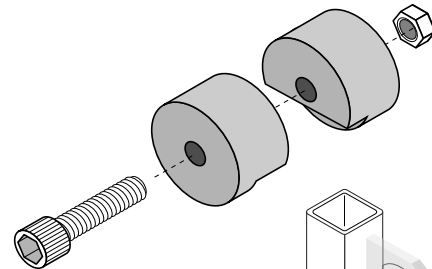


Heavy Duty Panel Clamp

SF-PCH-14 (black)

SF-PCH-14-GR (gray)

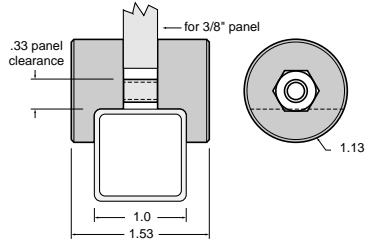
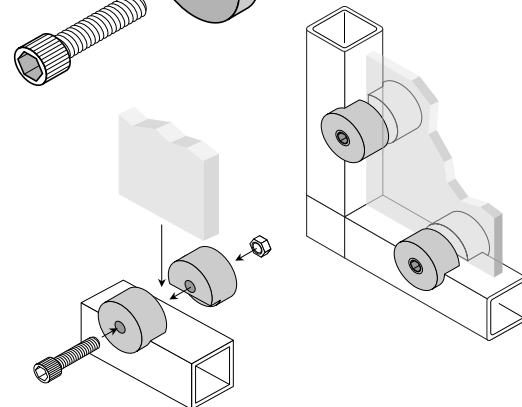
Black or gray acetal clamps with stainless steel fasteners and nickel plated brass nut. Designed to hold 1/4" panels in 1" square SpeedFrame tubing. Recommended maximum panel sizes: vertical panels: 36" x 96" horizontal panels: 24" x 72"



SF-PCH-38 (black)

SF-PCH-38-GR (gray)

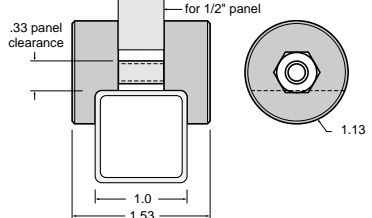
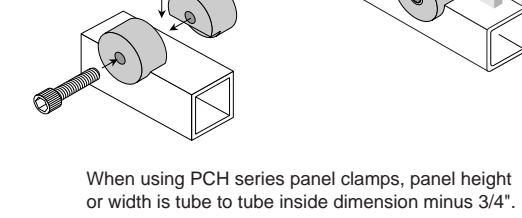
Black or gray acetal clamps with stainless steel fasteners and nickel plated brass nut. Designed to hold 3/8" panels in 1" square SpeedFrame tubing. Recommended maximum panel sizes: vertical panels: 36" x 96" horizontal panels: 24" x 72"



SF-PCH-12 (black)

SF-PCH-12-GR (gray)

Black or gray acetal clamps with stainless steel fasteners and nickel plated brass nut. Designed to hold 1/2" panels in 1" square SpeedFrame tubing. Recommended maximum panel sizes: vertical panels: 36" x 96" horizontal panels: 24" x 72"

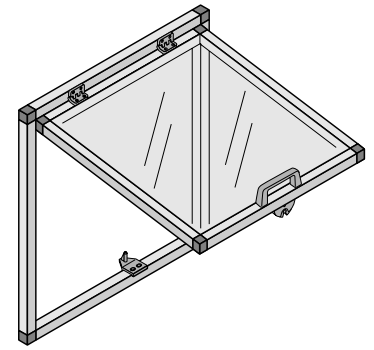
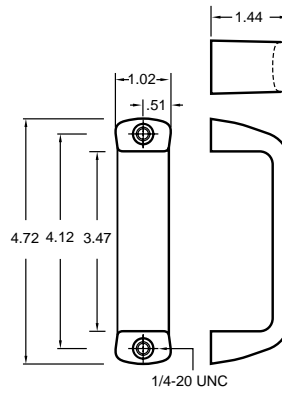
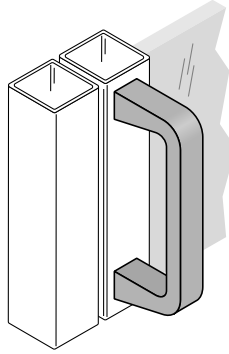
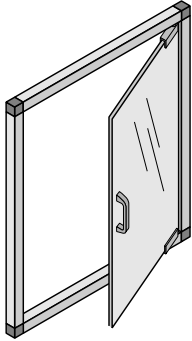


When using PCH series panel clamps, panel height or width is tube to tube inside dimension minus 3/4".

Handles

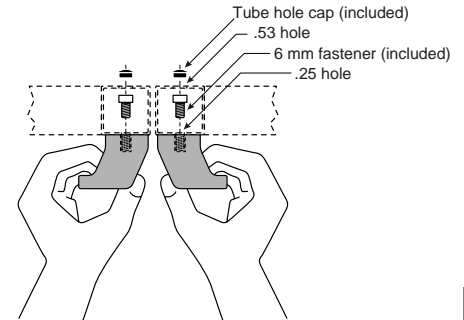
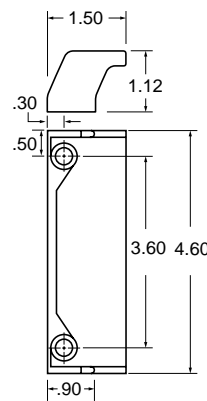
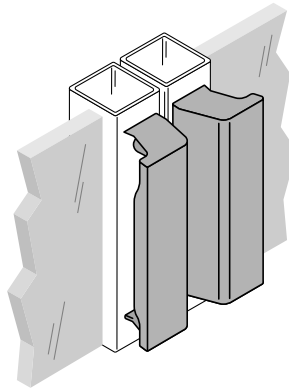
Standard Duty Handle

VG-631-14 (black)
VG-631-14-GR (gray)
 Reinforced black or gray polyamide with brass insert.



Safety Handle

VG-630-BK
 Reinforced black polyamide with 304 stainless steel screws and polyamide caps included. Closed design allows easy opening without pinched fingers and scraped knuckles when handles are mounted side by side on adjacent doors. Fasteners and tube hole caps included.

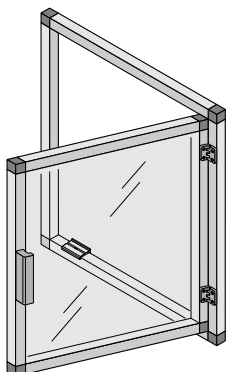
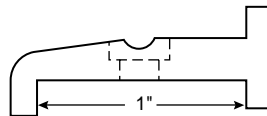
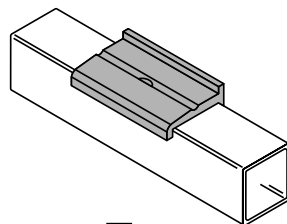


For additional handles, see [page 17](#)

Doorstop

Doorstop

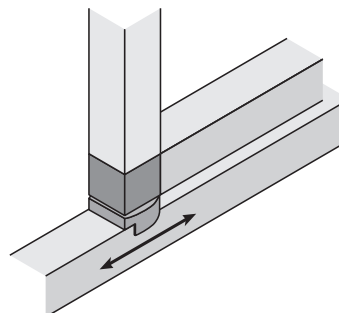
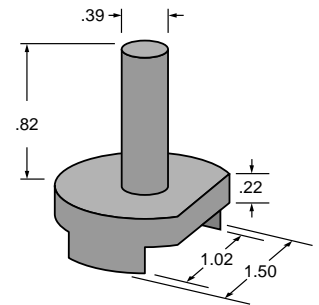
SF-DOORSTOP-BK
 Reinforced black polyamide doorstop positions closed door flush with frame. Designed for 1/4" gap between door and frame. Fastener included.



Bifold Door Slider

Door Slider for Bifold Doors

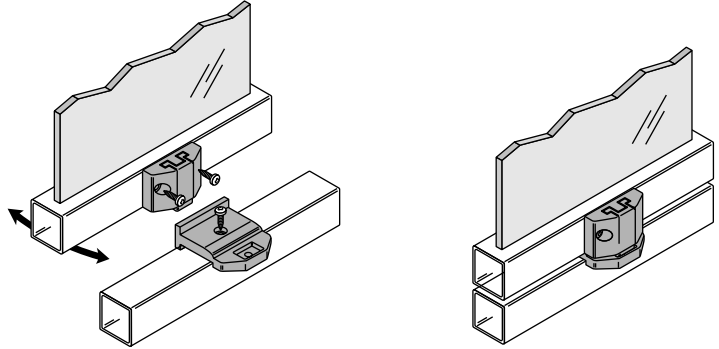
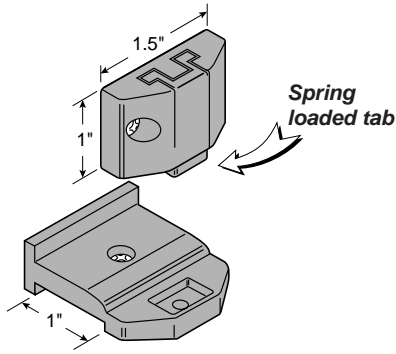
SF-BDS-BK
 Black acetal Bifold Door Slider is used on the top and bottom sliding ends of bifold doors. The pin is inserted into a .396" dia. hole drilled into the middle of a corner joint.



Latches

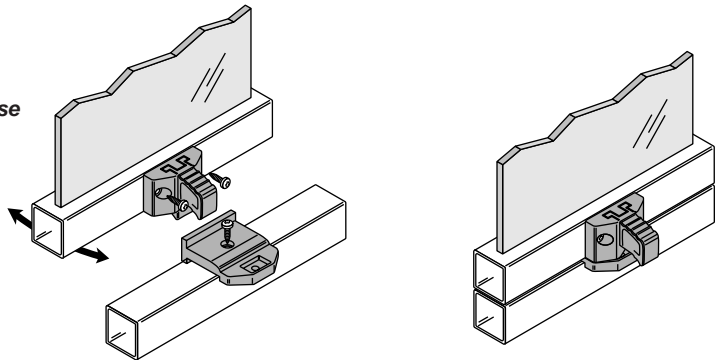
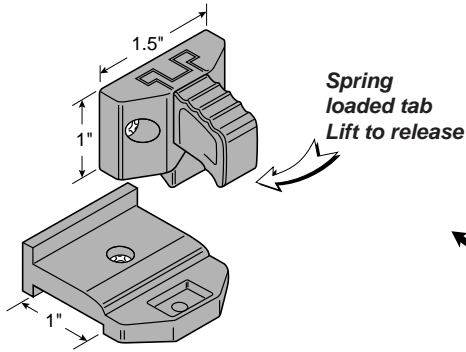
Spring Latch SF-SLATCH-BK

Reinforced black polyamide latch for framed doors. Requires handle on door. Mounting hardware included. Designed for 1/4" gap between door and frame.



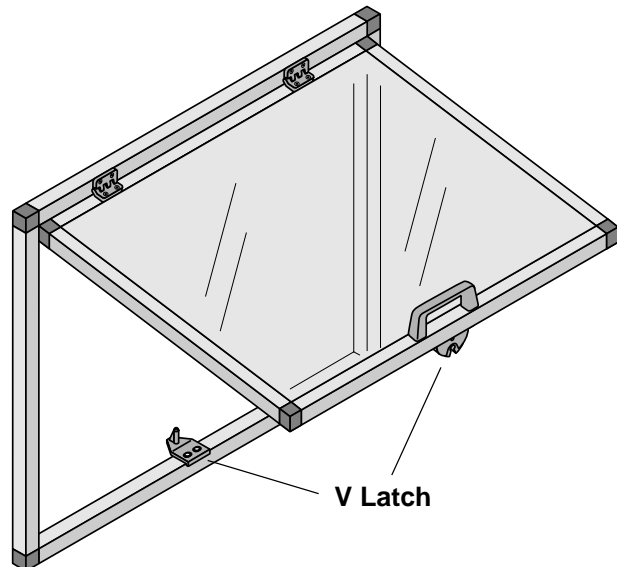
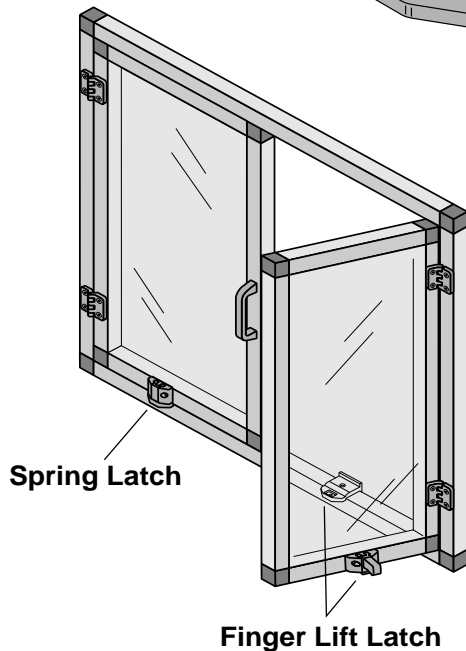
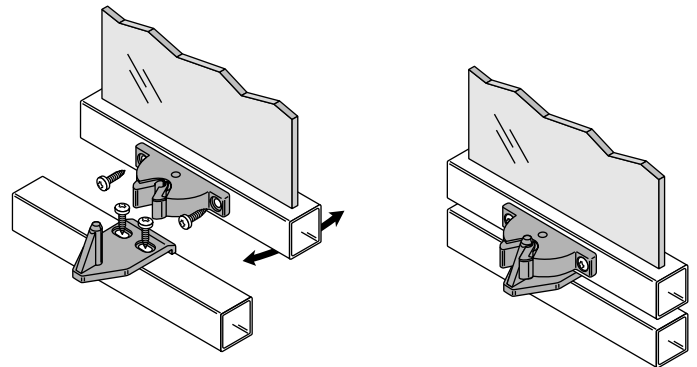
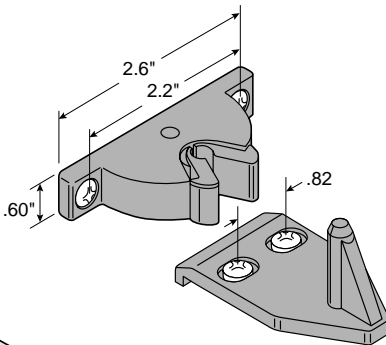
Finger Lift Latch SF-FLATCH-BK

Reinforced black polyamide latch for framed doors. No door handle required. Mounting hardware included. Designed for 1/4" gap between door and frame.



V Latch SF-VLATCH-BK

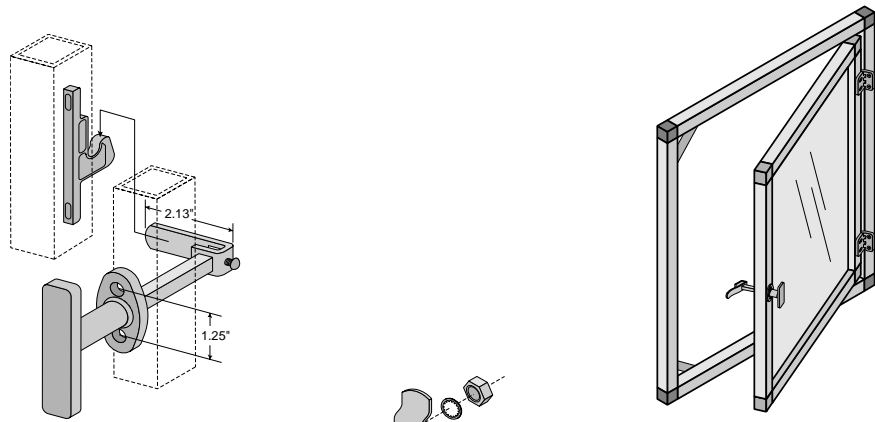
Reinforced black polyamide latch for framed doors. Requires handle on door. Mounting hardware included. Designed for 1/4" gap between door and frame.



Latch Kits

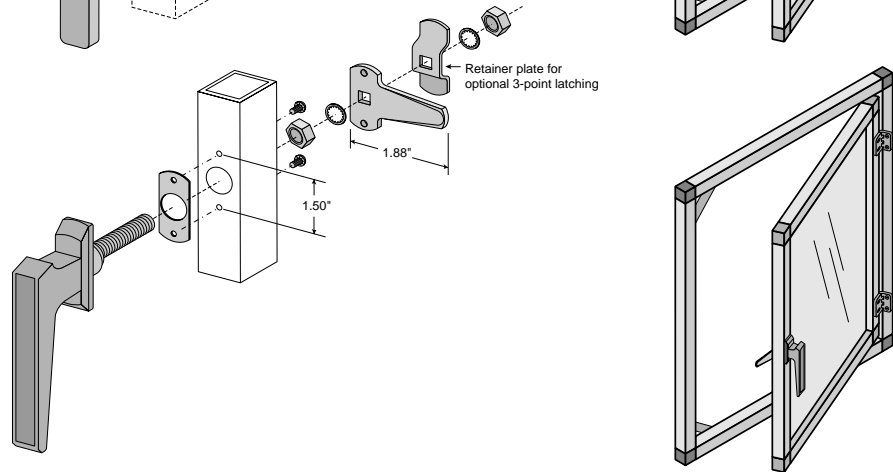
Latch Kit SF-LK-B

Kit includes a zinc plated steel handle/pawl assembly, a polymer keeper and 2 steel doorstops. Mounting hardware included. Designed for 1/4" gap between door and frame.



Latch Kit SF-LK-C

Kit includes a black zinc plated steel handle/pawl assembly, and 2 steel doorstops. Designed for 1/4" gap between door and frame.

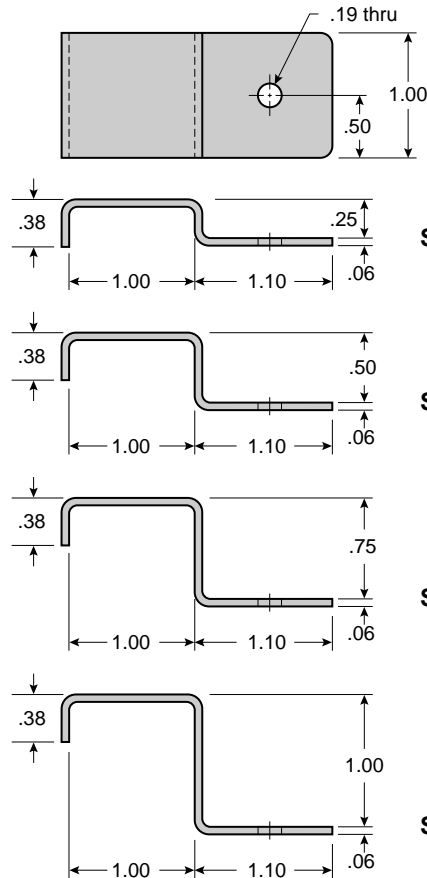


Shelf Supports

Shelf Support

- SF-SR-1
- SF-SR-2
- SF-SR-3
- SF-SR-4

Black enameled steel support hooks firmly around horizontal tubes to support rigid 1/4", 1/2", 3/4" or 1" shelf panels. Maximum static load is 200 lbs. per 4 supports.

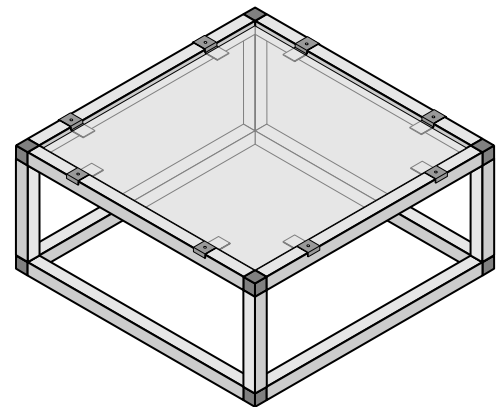


SF-SR-1

SF-SR-2

SF-SR-3

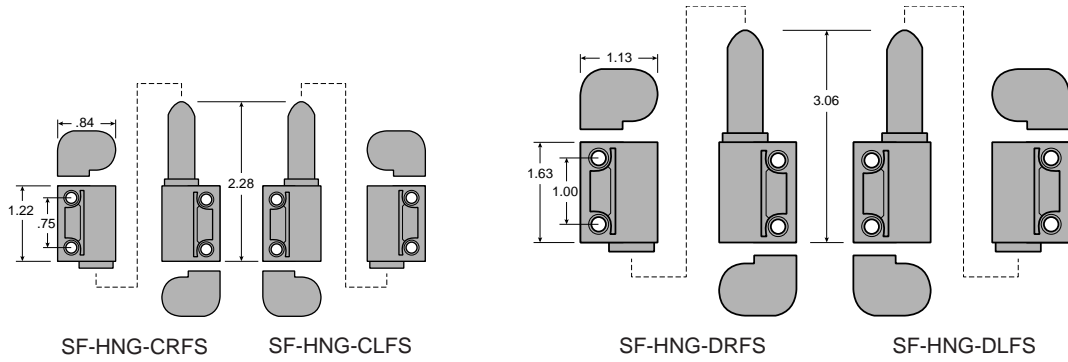
SF-SR-4



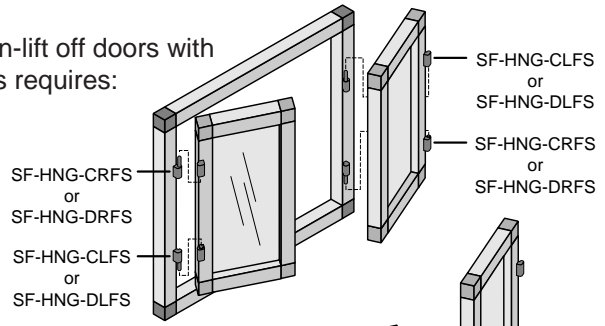
Hinges

Pinel Hinges:
Free Swinging,
Size C and D
SF-HNG-CLFS
SF-HNG-CRFS
SF-HNG-DLFS
SF-HNG-DRFS

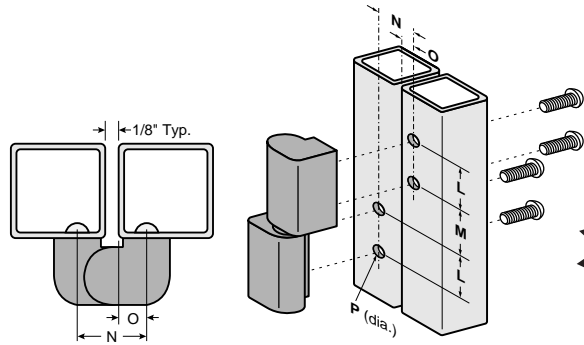
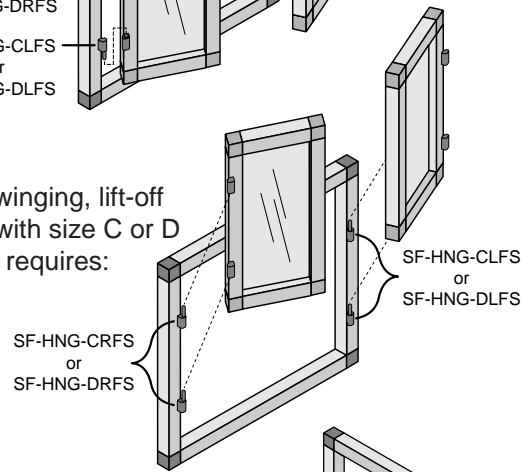
Made of glass reinforced,
 black polyamide.



Free swinging, non-lift off doors with
 size C or D hinges requires:



Free swinging, lift-off
 doors with size C or D
 hinges requires:



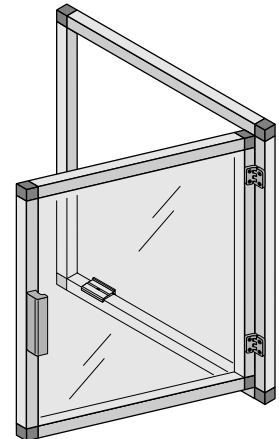
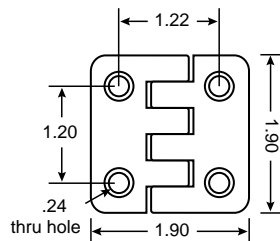
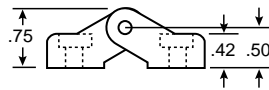
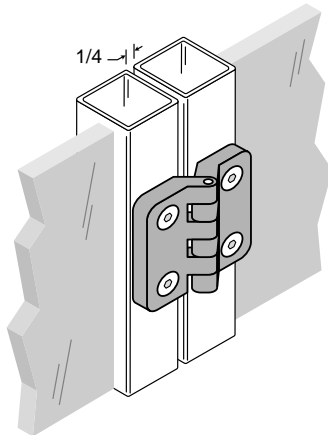
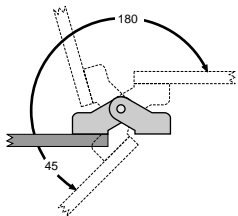
Part No.	Installation Dimensions (inches)					Screw thread size
	L	M	N	O	P dia.	
SF-HNG-C	.75	.56	.75	.317	.196	10-24
SF-HNG-D	1.00	.75	1.00	.437	.265	1/4-20

Screws not included. Hinge designed for 1/8" gap between door and frame.

Standard Hinge

VG-635-BK

Made of reinforced, black
 polyamide. Use for swinging
 doors and panels. Designed
 for 1/4" gap between door and
 frame. Fasteners not included.
 Requires #10 screw.

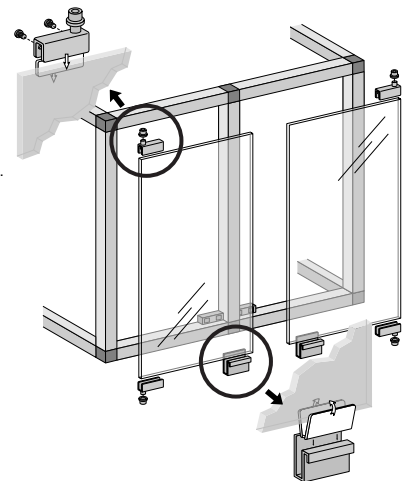
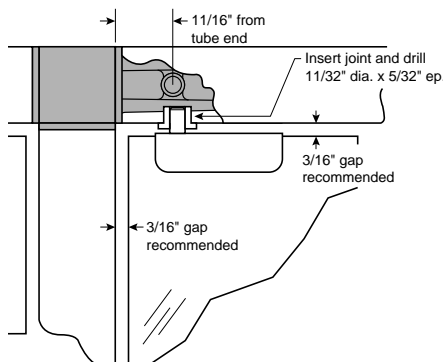
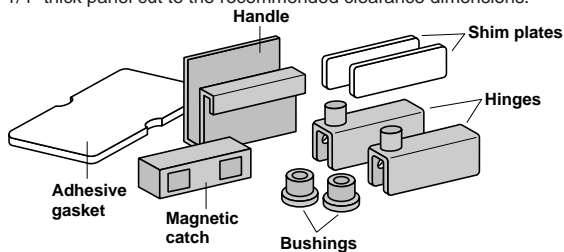


Frameless Door Hardware Kit

SF-HK-BB (black)

SF-HK-BC (chrome)

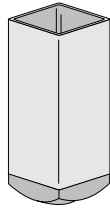
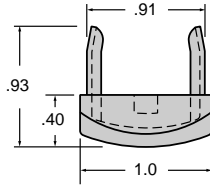
Hardware kit provides all the components needed for mounting one
 frameless door. Each kit includes: 2 hinges with bushings and shim
 plates, 1 handle with adhesive gasket and 1 magnetic catch. Use a
 1/4" thick panel cut to the recommended clearance dimensions.



Tube Ends and Anchor Plate

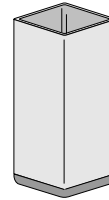
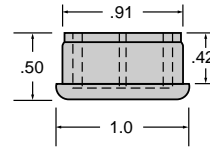
Metal Tube End SF-ECM

Zinc plated steel cap or foot for load bearing structures. Maximum static load is 500 lbs.



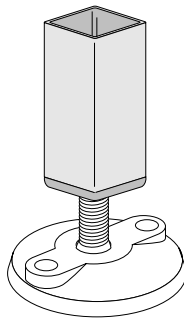
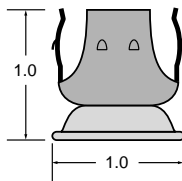
Plastic Tube End SF-ECP

Black polyethylene cap or foot for lightweight structures. Maximum static load is 100 lbs.



Threaded Tube End SF-ECT-38

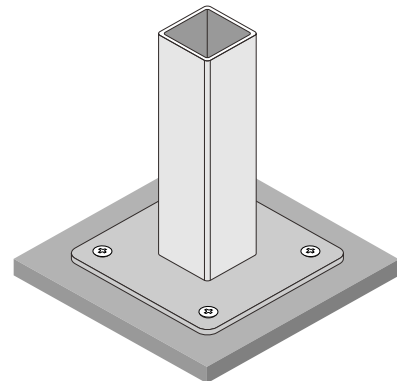
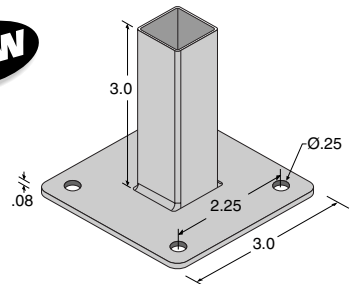
Plated steel tube end with 3/8-16" internal threads. Maximum static load is 100 lbs.



Anchor Plate SF-AP-2

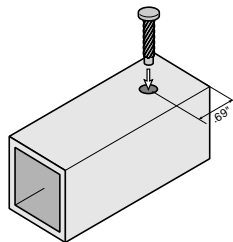
Black powder coated steel plate that connects to SpeedFrame tubing. When assembled to a tube, they provide a simple, rigid method for attaching frame structures to horizontal and vertical surfaces. Fasteners not included.

NEW



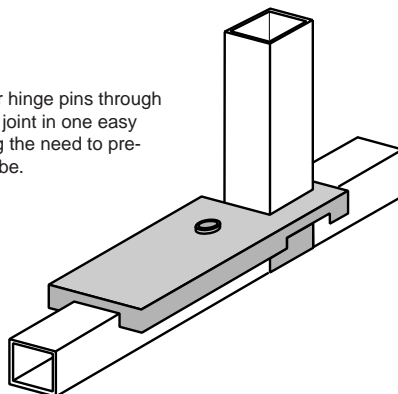
Drive Screw SF-DS

Zinc plated screw makes joint connections resistant to pull out due to excessive loads or vibration. Screw is driven into a .16" dia. drilled hole with a hammer.



Drill Jig SF-DJ

Locates drill holes for hinge pins through the tube and into the joint in one easy operation, eliminating the need to pre-punch or mark the tube.



Index

11044	24	FT-30-PA-J2RS-GR	12	Glazing Bead	37	SF-IB	38
11045	24	FT-30-PA-J2S-GR	12	Glazing Sections	41	SF-IW	38
14037	24	FT-30-PA-J3S-GR	12	Handles	17, 43	SF-LK-B	45
180° Panel Glazing Tube	8	FT-30-PA-JT3-GR	11	Hardware Mounting Details	26	SF-LK-C	45
2-Way Corner Joint	38-39	FT-30-PA-MT	13	Hardware Table	29	SF-PC2-14	42
3 Way Corner Joint	11-12, 38-39	FT-30-PA-PLG	13	Hinges	20-21, 46	SF-PC2-14-GR	42
3-Way Tee Joint	38-39	FT-30-PLT	23	Internal Connectors	13, 39	SF-PC2-316	42
45° Corner Joint	12	FT-30-SUP-01	23	Internal Corner Adapter	14	SF-PC2-316-GR	42
45° Side Adapter	14	FT-30-SUP-02	23	Internal Hinge Corner Joints	13	SF-PC3-116	42
4-Way Corner Joint	38	FT-30T-10-AN	8	Latches	19, 44-45	SF-PC3-116-GR	42
4-Way Tee Joint	38	FT-30T-10-LX	8	Mandrel for M6 Rivet Nut	24	SF-PC3-14	42
90° Corner Joint	11-12	FT-30T-FDS-10-AN	10	Miterless Corner Joint	13	SF-PC3-14-GR	42
90° Panel Glazing Tube	8	FT-30T-FDS-10-LX	10	Miterless Tee Connectors	13	SF-PCH-12	42
90° Rounded Corner Joint	12	FT-30T-PF-10-AN	8	Mounting Block Kit	16	SF-PCH-12-GR	42
Adapters	14	FT-30T-PF-10-LX	8	Panel Clamps	16, 42	SF-PCH-14	42
Aluminum Glazing Tube	36-37	FT-30T-PF-180-10-AN	8	Panel Cleaning Solution	24	SF-PCH-14-GR	42
Angle Braces	23	FT-30T-PF-180-10-LX	8	Panel Glazing Adapter	9	SF-PCH-38	42
Assembly Accessories	24	FT-30T-PF-90-10-AN	8	Panel Glazing Bead	15	SF-PCH-38-GR	42
Bifold Door Slider	43	FT-30T-PF-90-10-LX	8	Panel Glazing Tube	8	SF-SLATCH-BK	44
Bifold Track Adapter	9	FT-30T-PM-10-AN	10	Panel Mounting Tube	10	SF-SP-14-8	40
Bifold Track Tube	9	FT-30T-PM-10-LX	10	Panel Seal Adapter	9	SF-SP-14-8-TOP	40
Bumper Caps	24	FT-30T-PS-10-AN	8	Panel Seal Tube	8	SF-SR-1	45
Cladding Sections	40	FT-30T-PS-10-LX	8	Panel Seals	15	SF-SR-2	45
Corner Joints: Aluminum	38	FT-30T-PT-10-AN	9	Pintel Hinges	46	SF-SR-3	45
Door Closures	18-19	FT-30T-PT-10-LX	9	Pop Rivet Installation Tool	24	SF-SR-4	45
Door Magnet Kits	18	FT-END-01-BK	24	Pop Rivets	24	SF-T3	38
Door Stop	24, 43	FT-END-02-BK	24	Quick Pick Guard Selector	25	SF-T3P-BK	39
FlexTech Accessories	24	FT-FAST-01	24	Rivet Nut Installation Tool	24	SF-T3PR-BK	39
Framed Door Seal Tube	10	FT-FAST-02	24	Rivet Nuts	24	SF-T4	38
FT-25-ADP-01-GR	14	FT-FDLAT-01	19	Rounded Miterless Corner Joint	13	SF-VLATCH-BK	44
FT-25-ADP-R1-GR	14	FT-FDLAT-02	19	Safety Handle	43	Shelf Supports	45
FT-25-ADP-R2-GR	14	FT-FDS-GZ-10-LX	15	Seal Bead	15	Shoulder Bolts	24
FT-25-BRC-03	23	FT-FDS-GZ-30-LX	15	SF-1000-AL-08	36	Sliding Panel Tube	10
FT-25-BRC-04	23	FT-GS-1220	22	SF-1000-AL-10	36	Square Aluminum Tubes	8
FT-25-CAP-GR	24	FT-GS-1240	22	SF-1000-AL-20	36	Square Stainless Tubes	36
FT-25C-PF-10-AN	9	FT-GS-2020	22	SF-1000-AZ1-08	36	Steel Reinforced Corner Joints	12
FT-25C-PF-10-LX	9	FT-GS-2040	22	SF-1000-AZ1-10	36	Tee Joint	11
FT-25C-PS-10-AN	9	FT-GS-2080	22	SF-1000-AZ2-08	36	Threaded Tube Ends	24
FT-25C-PS-10-LX	9	FT-GSMB-1	22	SF-1000-AZ2-10	36	T-Slot Profiles	27
FT-25-PA-J2-GR	11	FT-GSMB-6	22	SF-1000-AZ2F-08	37	Tube Caps	24
FT-25-PA-J2M-GR	13	FT-HDL-1-CAP-BK	17	SF-1000-AZ2F-10	37	Tube Ends	47
FT-25-PA-J2MR-GR	13	FT-HDL-1-CAP-OR	17	SF-1000-AZC-08	37	Tubing Inserts	38
FT-25-PA-J2RS-45-GR	12	FT-HDL-1C-GR	17	SF-1000-AZC-10	37	VG-1001	24
FT-25-PA-J2RS-GR	12	FT-HDL-1-GR	17	SF-1000-SS-08	36	VG-1002	24
FT-25-PA-J2S-GR	12	FT-HDS-01-GR	24	SF-1000-SS-10	36	VG-1003	24
FT-25-PA-J3-GR	11	FT-HNG-01-AL-AN	20	SF-1000-SS-20	36	VG-1004	24
FT-25-PA-JLH-GR	13	FT-HNG-01-AL-LX	20	SF-AP	47	VG-630-BK	43
FT-25-PA-JMLH-GR	13	FT-HNG-02-SS	21	SF-BDS-BK	43	VG-631-14	43
FT-25-PA-JMRH-GR	13	FT-HNG-21-AL-AN	20	SF-C1P	39	VG-631-14-GR	43
FT-25-PA-JRH-GR	13	FT-HNG-21-AL-LX	20	SF-C2	38	VG-635-BK	46
FT-25-PA-JT3-GR	11	FT-HNG-22-AL-AN	20	SF-C2P-BK	39	VG-ATS-1010-10	27
FT-25-PA-MT	13	FT-HNG-22-AL-LX	20	SF-C2PR-B	39	VG-ATS-1010-20	27
FT-25-PA-PLG	13	FT-LAT-01	19	SF-C3	38	VG-ATS-1010-8	27
FT-25-PLT	23	FT-MAG-21-GR	18	SF-C3P-BK	39	VG-ATS-1515-10	27
FT-25T-10-AN	8	FT-MAG-22-GR	18	SF-C3PR-BK	39	VG-ATS-1515-20	27
FT-25T-10-LX	8	FT-MAG-31-GR	18	SF-CD1-14-8	40	VG-ATS-1515-8	27
FT-25T-PF-10-AN	8	FT-MAG-32	18	SF-CD2-14-8	40	VG-ATS-3015-10	27
FT-25T-PF-10-LX	8	FT-MESH	14	SF-CR2	38	VG-ATS-3015-20	27
FT-25T-PF-180-10-AN	8	FT-PCP-GR	24	SF-CR3	38	VG-ATS-3015-8	27
FT-25T-PF-180-10-LX	8	FT-PF-GZ1-10-AN	15	SF-CT4	38	VG-ATS-3030-10	27
FT-25T-PS-10-AN	8	FT-PF-GZ1-10-LX	15	SF-DJ	47	VG-ATS-3030-20	27
FT-25T-PS-10-LX	8	FT-PF-GZ1-30-AN	15	SF-DOORSTOP-BK	43	VG-ATS-3030-8	27
FT-25T-SPB-10-AN	10	FT-PF-GZ1-30-LX	15	SF-DS	47	Wire Mesh Panels	14
FT-25T-SPB-10-LX	10	FT-PF-GZ2-10-AN	15	SF-ECM	47		
FT-25T-SPT-10-AN	10	FT-PF-GZ2-10-LX	15	SF-ECP	47		
FT-25T-SPT-10-LX	10	FT-PF-GZ2-30-AN	15	SF-ECT-38	47		
FT-30-ADP-01-GR	14	FT-PF-GZ2-30-LX	15	SF-FLATCH-BK	44		
FT-30-CAP-GR	24	FT-PIN1-DL	21	SF-GZ1-14-8	41		
FT-30C-PF-10-AN	9	FT-PIN2	21	SF-GZ2-14-8	41		
FT-30C-PF-10-LX	9	FT-PMB-01-CLR	16	SF-GZB-B-8	37		
FT-30C-PS-10-AN	9	FT-PMB-01-GR	16	SF-HK-BB	46		
FT-30C-PS-10-LX	9	FT-PMC1-GR	16	SF-HK-BC	46		
FT-30C-PT-10-AN	9	FT-PMC2-GR	16	SF-HNG-CLFS	46		
FT-30C-PT-10-LX	9	FT-PS-DS1-10-GR	15	SF-HNG-CRFS	46		
FT-30-PA-J2-GR	11	FT-PS-DS1-30-GR	15	SF-HNG-DLFS	46		
FT-30-PA-J2RS-45-GR	12	Gas Springs	22	SF-HNG-DRFS	46		